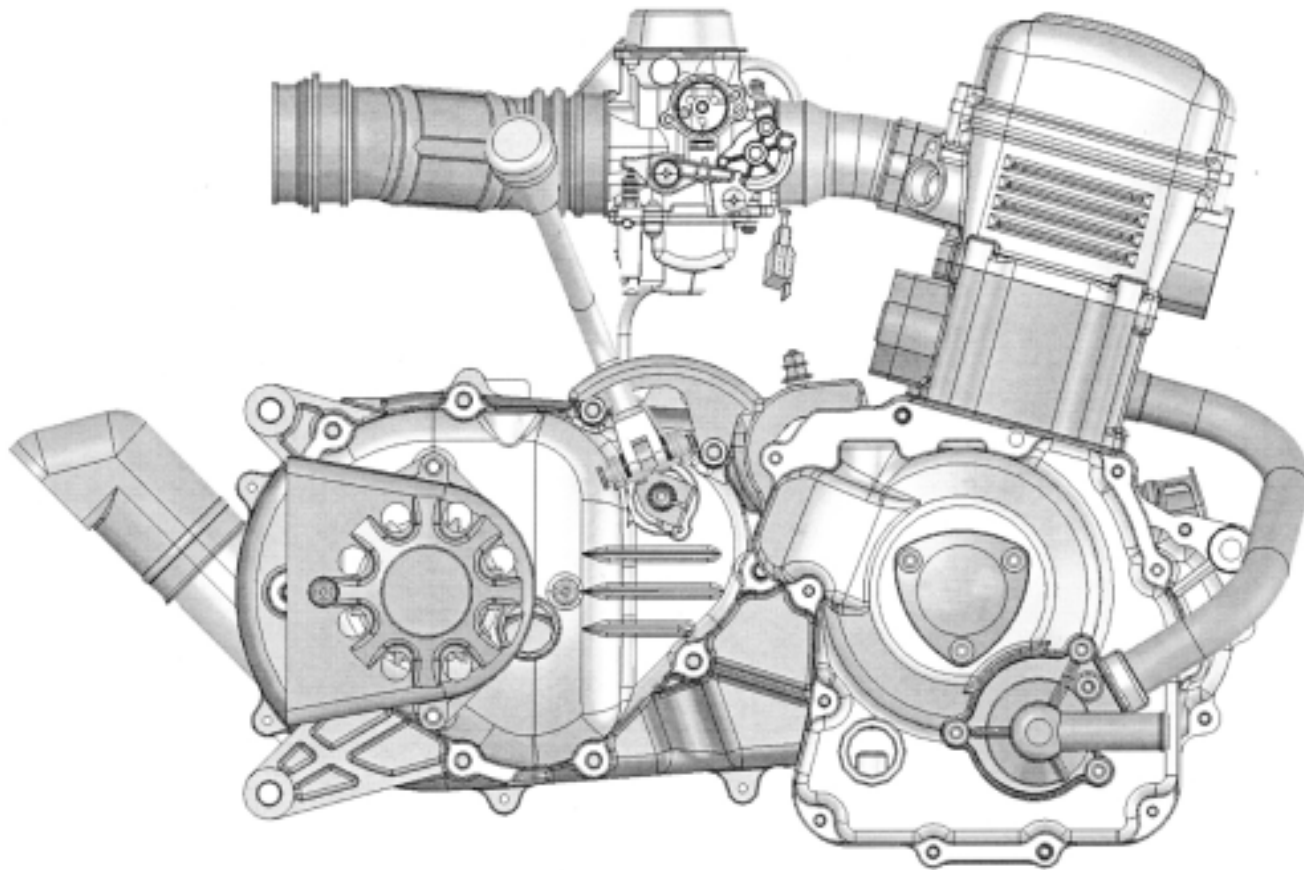


A300 Parts Manual-Chassis
ENGINE



D1028-011A

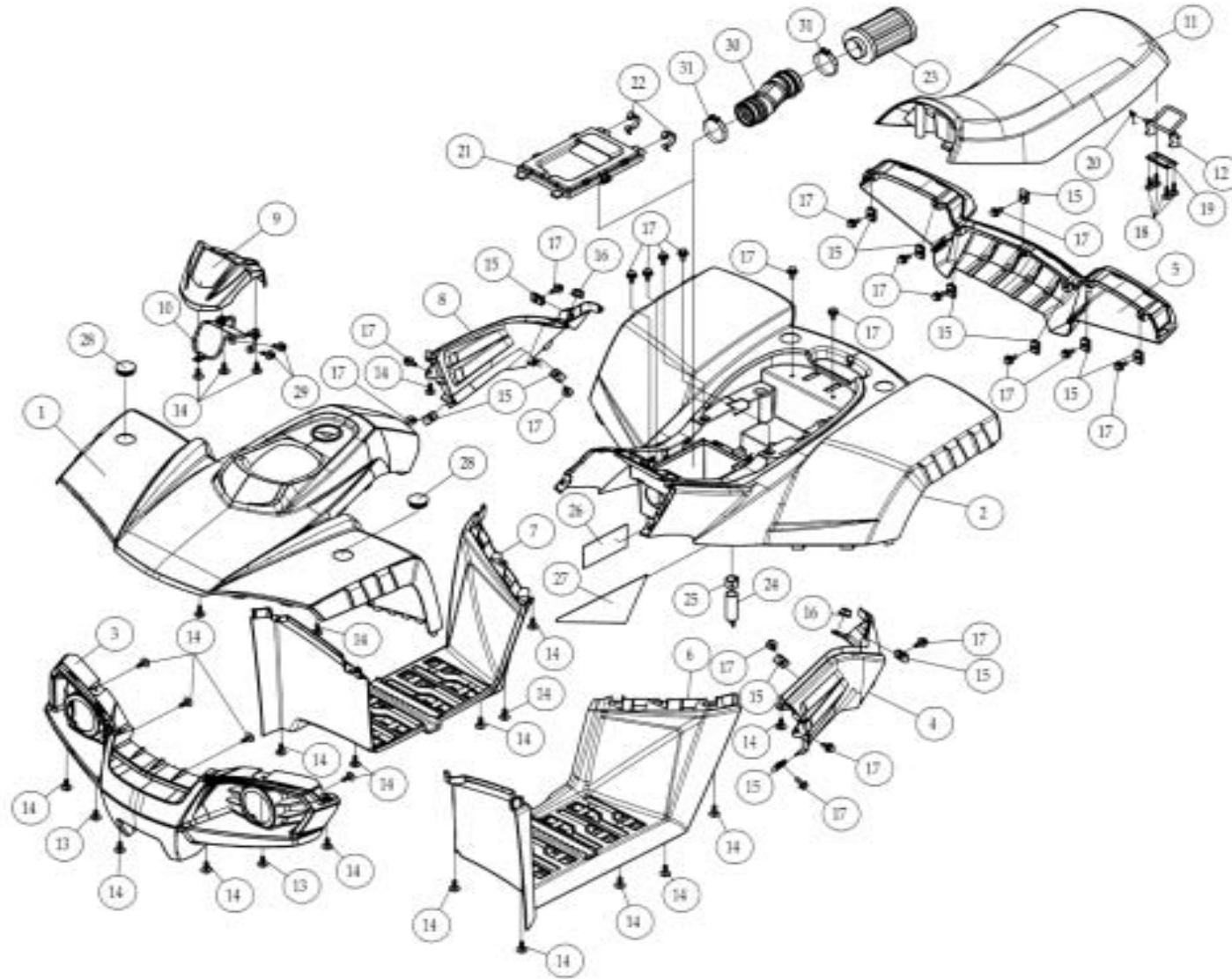
A300 Parts Manual-Chassis

ENGINE

Model	Item	Part no	Description	Specification	Quality	Note
	01	E130000A02	E13 ENGINE		1	

D1028-012A

FENDER, SEAT



D1028-021A

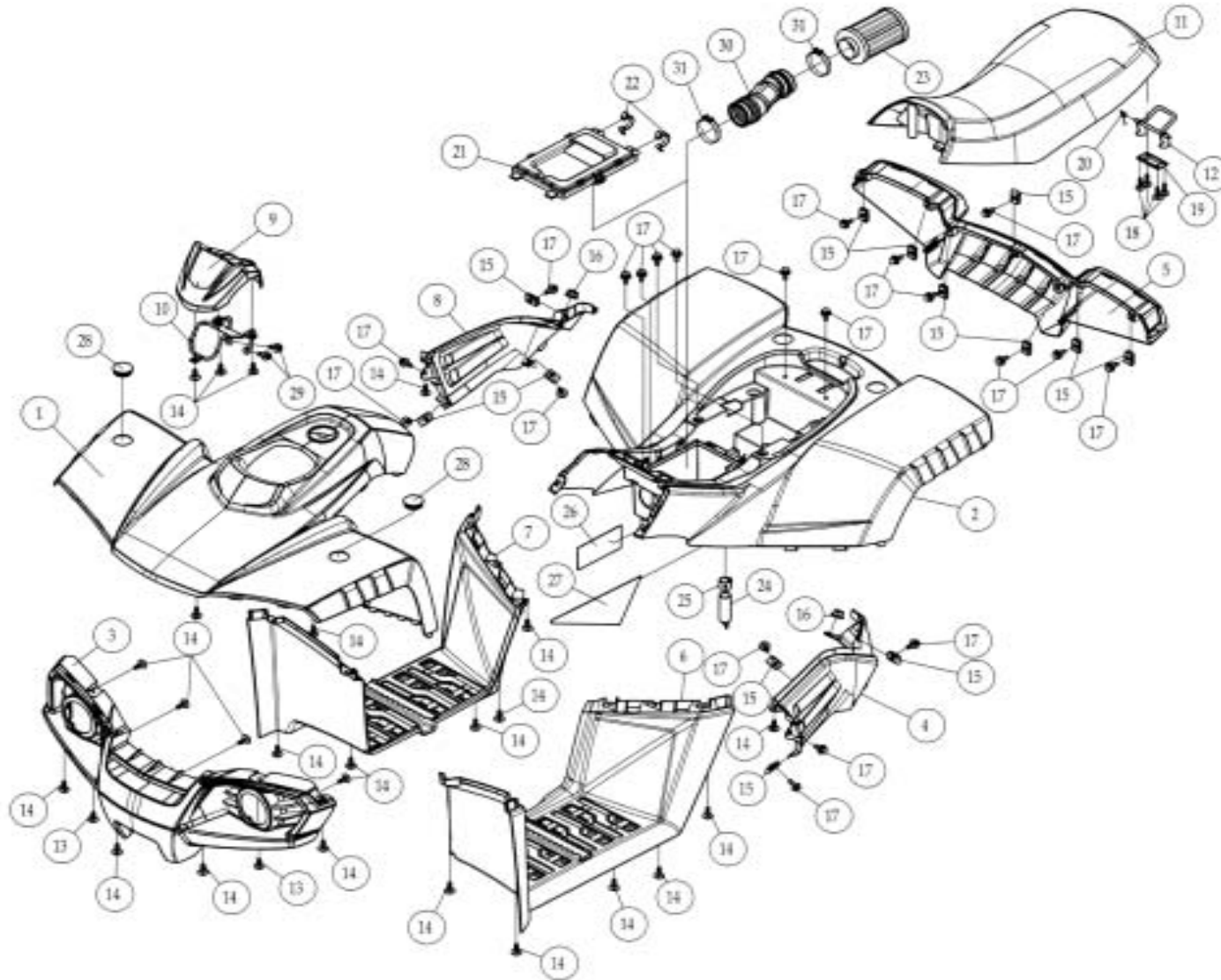
A300 Parts Manual-Chassis

FENDER, SEAT

Model	Item	Part no	Description	Specification	Quality	Note
	01	F180001	FRONT FENDER		1	
	02	F180002	REAR FENDER		1	
	03	F180003-15	FRONT LIGHT COVER		1	
	04	F180004-15	LEFT CONVER		1	
	05	F180005-15	TAIL LIGHT COVER		1	
	06	F180006-15	FOOTBOARD	LEFT SIDE	1	
	07	F180008-15	FOOTBOARD	RIGHT SIDE	1	
	08	F180009-15	RIGHT CONVER		1	
	09	F180010	SPEEDOMETER COVER		1	
	10	F180013-48	SPEEDOMETER COVER BRACKET		1	
	11	F160014-01	SEAT ASSEMBLY		1	
	12	A230016-41	CLAMP , SEAT		1	
	13	A130021-43	TAPPING SCREW	5X10L	2	
	14	A130018-43	TAPPING SCREW	5X12L	25	
	15	F020195-43	NUT CLIP	M6	13	
	16	A060009-41	HEX WASHER FACE BOLT	M6X1.0	2	
	17	A050023-41	HEX BOLT	M6X1.0X16L	21	
	18	A130005-43	TAPPING SCREW	5X16L	4	
	19	F030021-42	BRACKET , SEAT		1	
	20	A110003-41	TORSION SPRING	Ø2	1	
	21	F140008-15	AIR CLEANER COVER		1	
	22	F140136-00	CLAMP,AIRCLEANER		2	
	23	F140017-00	CORE,AIR CLEANER		1	
	24	F140138-00	DRAIN TUBE		1	
	25	F020196-00	CLIP	12X0.8	1	
	26	F140197-00	HEAT INSULATION PAD		1	
	27	F180034-00	HEAT INSULATION PAD		1	
	28	A220012-00	PLUG	Ø32	2	

D1028-022B

FENDER, SEAT



D1028-021A

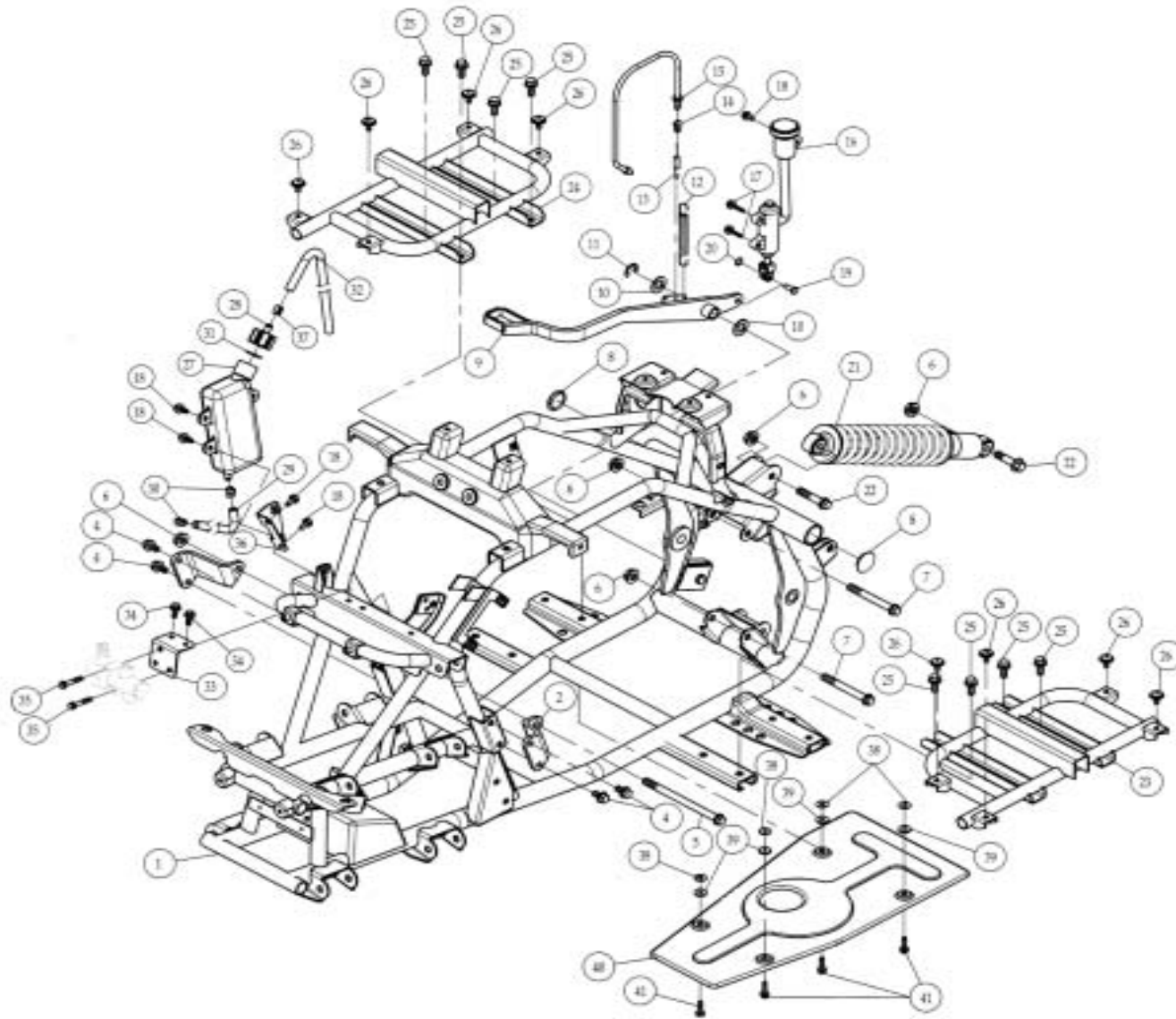
A300 Parts Manual-Chassis

FENDER, SEAT

Model	Item	Part no	Description	Specification	Quality	Note
	29	A050017-43	HEX WASHER FACE BOLT	M6X1.0X12L	2	
	30	E130108-00	BREATHER TUBE CONNECT		1	
	31	A220005-41	BAND,INTAKE DUCT	Ø60	2	

D1028-023A

FRAME



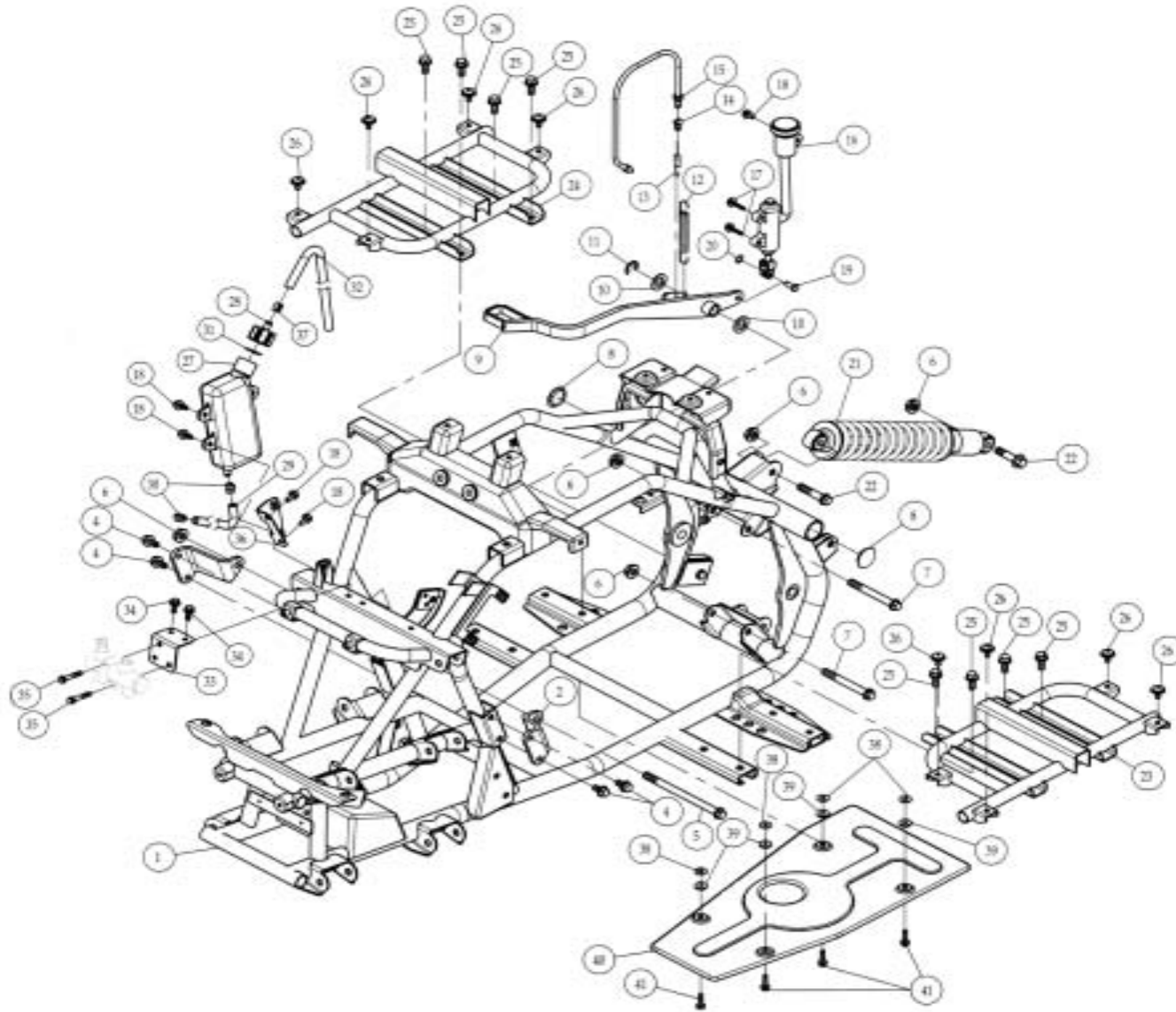
D1028-031A

A300 Parts Manual-Chassis**FRAME**

Model	Item	Part no	Description	Specification	Quality	Note
	01	F180012B48	FRAME		1	
	02	F140099-50	LEFT BRACKET,ENGINE		1	
	03	F140100-50	RIGHT BRACKET,ENGINE		1	
	04	A050057-41	HEX WASHER FACE BOLT	M8X1.25X15L	4	
	05	A050202-41	HEX WASHER FACE BOLT	M10X1.5X142L	1	
	06	A060007-41	INSERT LOCK NUT	M10X1.25	5	
	07	A050206-41	HEX WASHER FACE BOLT	M10X1.25X85L	2	
	08	F140149-00	PLUG		2	
	09	F180029A44	FOOT BRAKE PEDAL		1	
	10	A080013-43	SPACER	Ø14.5XØ26X2t	2	
	11	A100020-00	RETAINING RINGS E TYPE	Ø12	1	
	12	A110037A43	SPRING		1	
	13	A110040-43	SPRING		1	
	14	F140203-43	CONNECTOR		1	
	15	F140188A00	WIRE		1	
	16	F140113-00	OIL PRESSUER		1	
	17	A050029-43	HEX SOCKET SCREW	M6X1.0X25L	2	
	18	A050017-41	HEX WASHER FACE BOLT	M6X1.0X12L	5	
	19	A070021-42	HEAD PIN	Ø7X15	1	
	20	A100016-43	RETAINING RINGS E TYPE	Ø5	1	
	21	F180041-00	REAR SUSPENSION		1	
	22	A050213-41	HEX WASHER FACE BOLT	M10X1.25X50L-8T	2	
	23	F180014-48	LEFT BRACKET , FOOTREST		1	
	24	F180015-48	RIGHT BRACKET , FOOTREST		1	
	25	A050049-00	HEX WASHER FACE BOLT	M8X12.5X16L	8	
	26	A050018-00	PAN PHILLIPS BOLT	M6X1.0X16L	8	
	27	F140080-00	WATER TANK		1	
	28	F140087-15	CAP WATER TANK		1	

D1028-032B

FRAME



D1028-031A

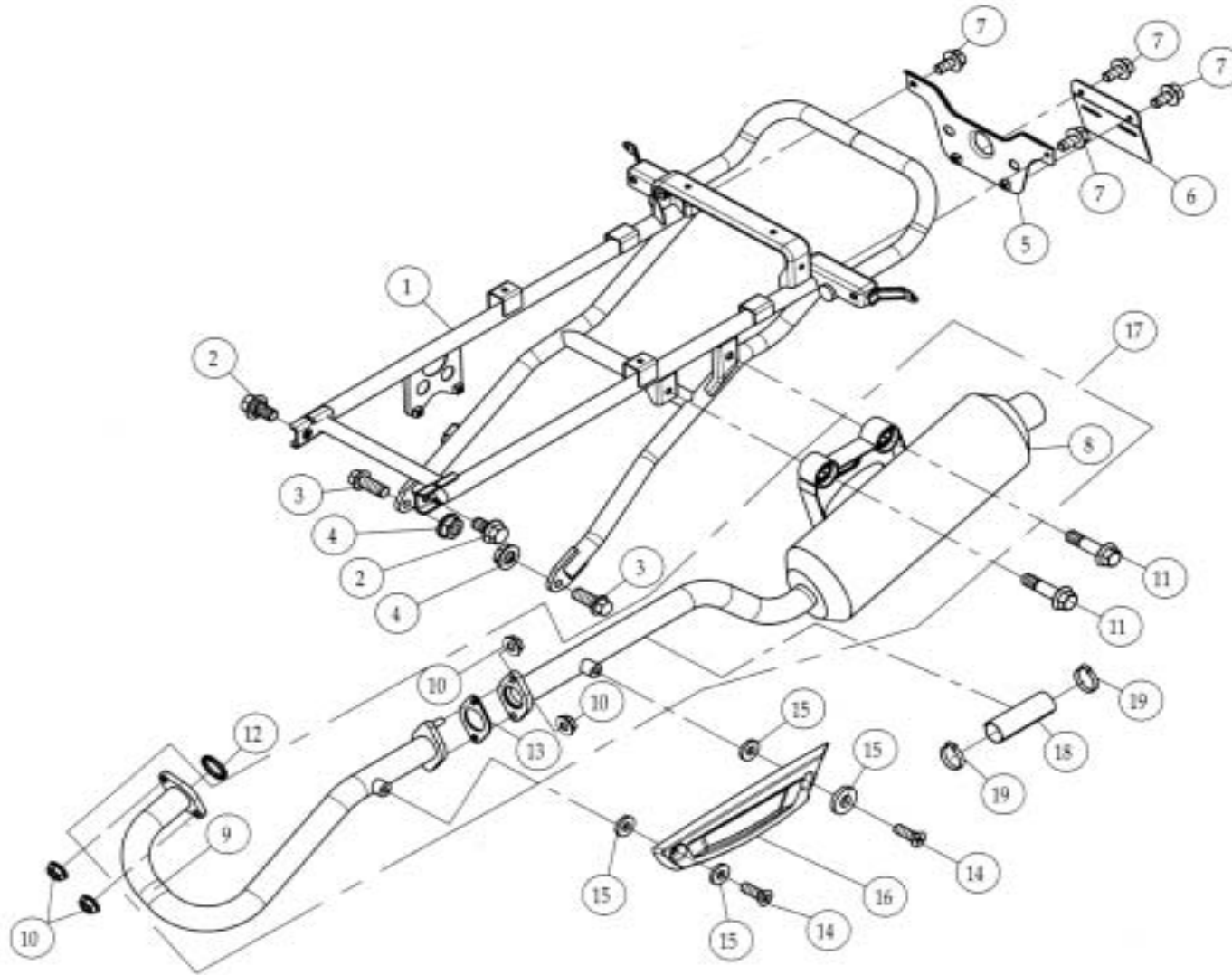
A300 Parts Manual-Chassis

FRAME

Model	Item	Part no	Description	Specification	Quality	Note
	29	F140164-00	WATER TANK,TUBE		1	
	30	F020197-00	CLIP	9.2X0.6	2	
	31	F140223-00	WATER TANK RUBBER		1	
	32	A220016-00	TUBE	Ø7XØ11X550L	1	
	33	F180042-50	PUMP BRACKET		1	
	34	A050024-41	HEX WASHER FACE BOLT	M6X1.0X16L	2	
	35	A050139-41	HEX BOLT	M6X1.0X35L	2	
	36	F180047-50	BRACKET,WATER TANK		1	
	37	A220010-00	CLIP	Ø11X8X0.7t	1	
	38	A080026-41	SPACER	Ø6.5XØ19X1.2	4	OPTION
	39	A080102-00	SPACER		4	OPTION
	40	F140220-50	ENGINE PROTECTION COVER		1	OPTION
	41	A050077-00	HEX WASHER FACE BOLT	M6X1.0X25L	4	OPTION

D1028-033A

REAR FRAME



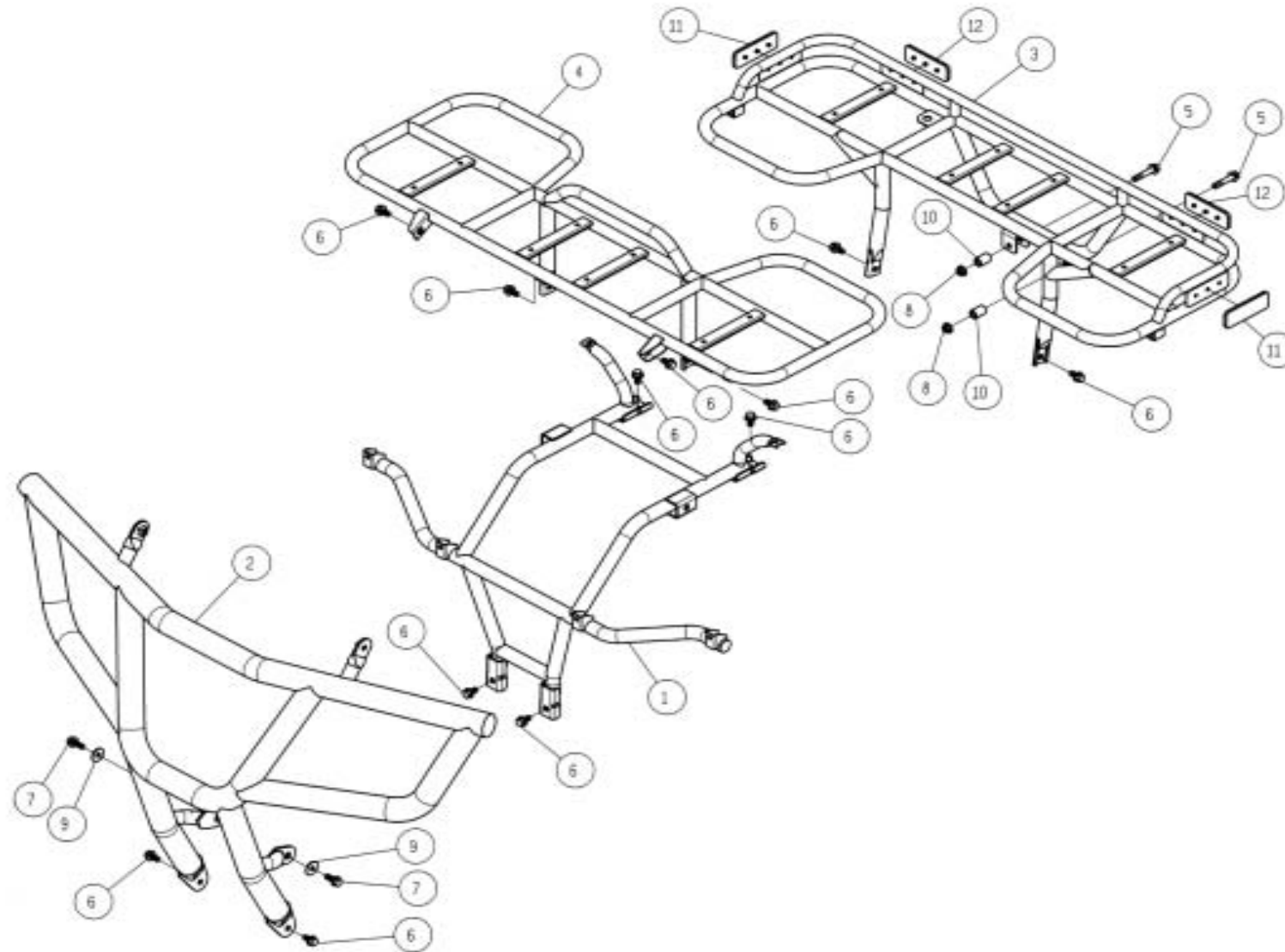
D1028-041A

A300 Parts Manual-Chassis**REAR FRAME**

Model	Item	Part no	Description	Specification	Quality	Note
	01	F180023B48	REAR FRAME		1	
	02	A050192-41	POSITION,BOLT	M10X1.25X18L	2	
	03	A050201-41	HEX WASHER FACE BOLT	M10X1.25X25L	2	
	04	A060007-41	INSERT LOCK NUT	M10X1.25	2	
	05	F180024-50	REAR LIGHT BRACKET		1	
	06	F140112-50	BRACKET,NUMBER PLATE		1	
	07	A050017-41	HEX WASHER FACE BOLT	M6X1.0X12L	4	
	08	F180028A00	MUFFLER		1	
	09	F180030-00	MUFFLER FRONT SEC.		1	
	10	A060014-41	INSERT LOCK NUT	M8X1.25	4	
	11	A050001-41	HEX WASHER FACE BOLT	M10X1.25X40L	2	
	12	A080100-00	GASKET		1	
	13	F180031-00	GASKET , MUFFLER		1	
	14	A050219-41	PAN PHILLIPS BOLT	M6X1.0X18L	2	
	15	A080101-00	HEAT INSULATION WASHER	Ø6XØ14X3t	4	
	16	F140010-01	MUFFLER COVER		1	
	17	F180035-00	MUFFLER ASSEMBLY		1	
	18	F180040-00	MUFFLER INSULATION PAD		1	
	19	A220014-41	CLIP	Ø40.5X7X0.6t	2	

D1028-042A

RACK



D1028-051A

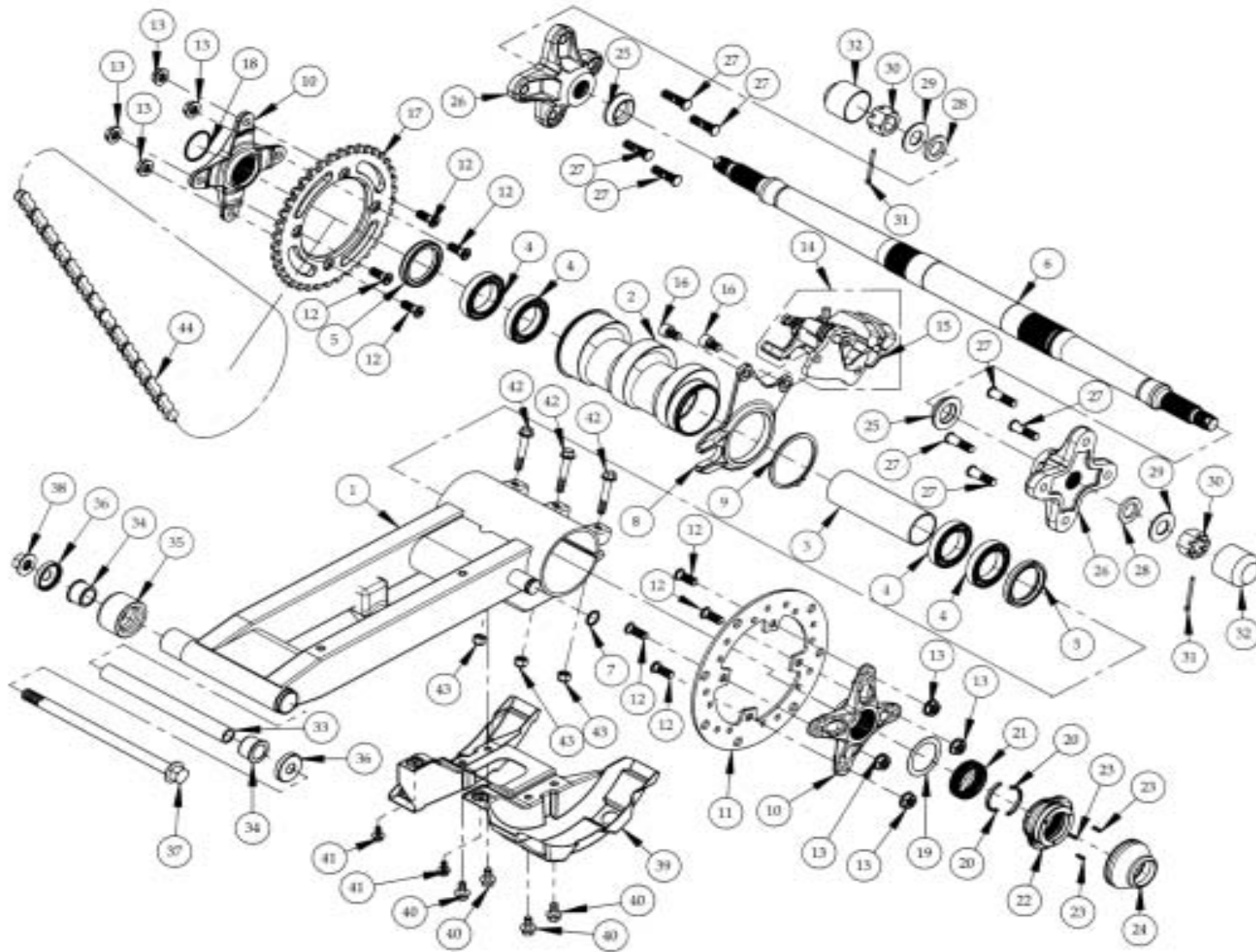
A300 Parts Manual-Chassis

RACK

Model	Item	Part no	Description	Specification	Quality	Note
	01	F180016-48	BRACKET,FORNT FRAME		1	
	02	F180019-00	BUMPER		1	
	03	F180021B00	RACK	REAR SIDE	1	
	04	F180022-00	RACK	FRONT SIDE	1	
	05	A050014-43	HEX WASHER FACE BOLT	M8X1.25X40L	2	
	06	A050057-43	HEX WASHER FACE BOLT	M8X1.25X15L	12	
	07	A050084-43	HEX WASHER FACE BOLT	M8X1.25X20L	2	
	08	A060014-41	INSERT LOCK NUT	M8X1.25	2	
	09	A080059-41	SPACER	Ø8.4XØ24X2t	2	
	10	F040031-41	COLLAR	Ø8.5XØ15X22.5L	2	
	11	F020266-00	REFLECTOR	YELLOW	2	
	12	F020265-00	REFLECTOR	RED	2	

D1028-052B

A300 Parts Manual-Chassis
SWING ARM SUB ASS'Y



D1028-061A

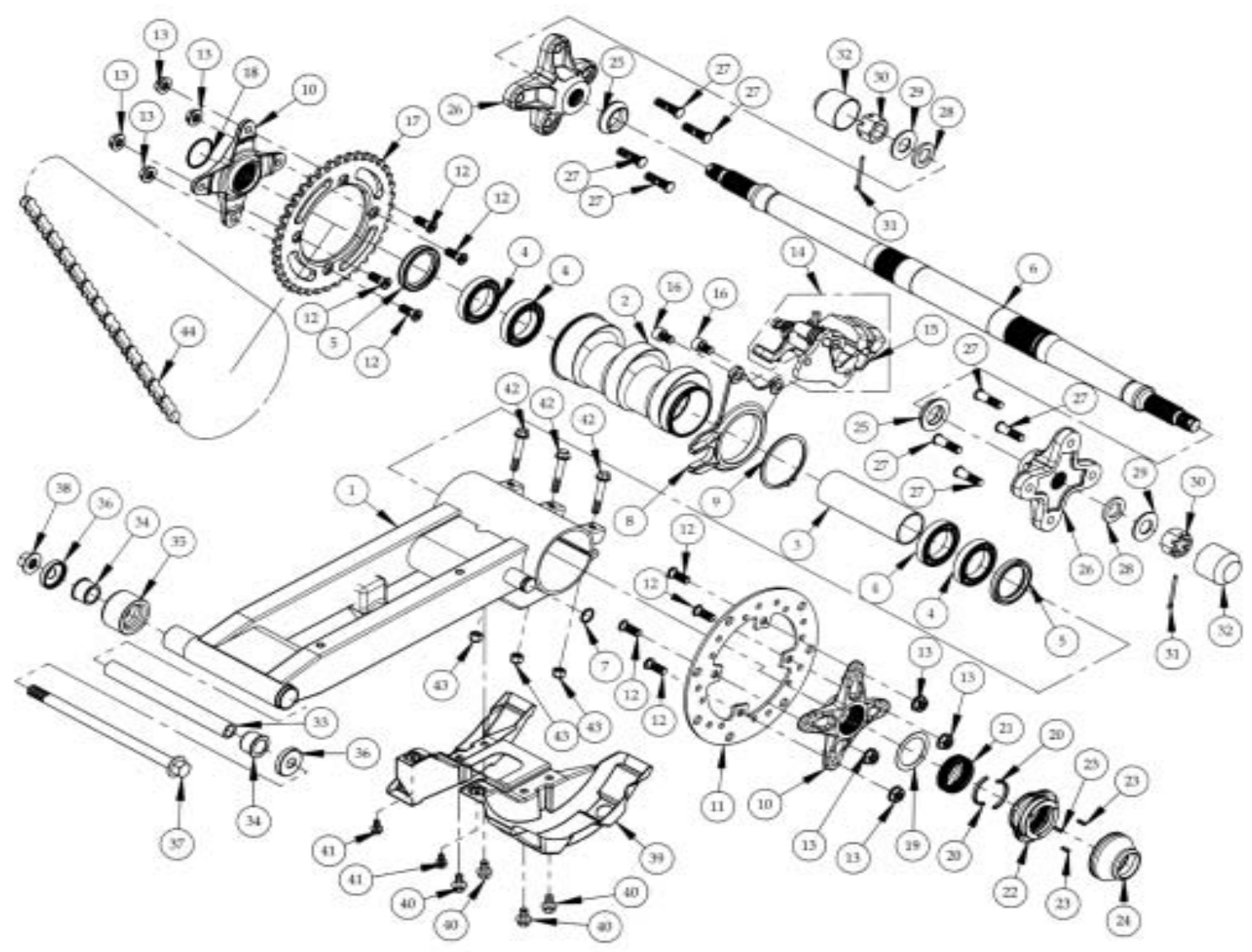
A300 Parts Manual-Chassis

SWING ARM SUB ASS'Y

Model	Item	Part no	Description	Specification	Quality	Note
	01	F140212A48	SWING ARM SUB ASSEMBLY		1	
	02	F140144-00	POSITIONER COLLAR		1	
	03	F150025-41	SPACER TUBE	Ø40.3XØ45X133.7L	1	
	04	A010051-02	BEARING,RADIAL BALL	6908ZZ,Ø40XØ62X12t	4	
	05	A030031-00	OIL SEAL	TC62X48X9t	2	
	06	F140120-00	REAR AXLE		1	
	07	A040030-00	O-RING	P16	1	
	08	F140234-44	OIL PRESSUER BRAKE		1	
	09	A100022-43	C TYPE INTERNAL CIRCLIP	079.5X064X2.5t	1	
	10	F150030-00	HOLDER,BRAKE&SPROCKET		2	
	11	F150039-01	DISC,BRAKE	Ø220	1	
	12	A050203-41	HEX SOCKET BOLT	M10X1.25X25L	8	
	13	A060007-41	INSERT LOCK NUT	M10X1.25	8	
	14	F140237-00	OIL PRESSUER BRAKE		1	
	15	F140238-00	CALIPER,DISK BRAKE		1	
	16	A050216-41	HEX SOCKET BOLT	M10X1.25X15L-8T	2	
	17	A170009A50	SPROCKET	38T	1	
	18	A100026-41	SPROCKET,ORIENTATION RING		1	
	19	F150038-41	WASHER	040X059X1t	1	
	20	F150036-43	POSITION RING		2	
	21	F150037-44	POSITION BOLT		1	
	22	F150035-44	POSITION NUT		1	
	23	F150034-43	HEXAGON SOCKET BOLT	M4X0.7X12L	3	
	24	F150033-00	DUST COVER		1	
	25	F150032-44	COLLAR		2	
	26	F150006-53	SHAFT CONNECTER		2	
	27	A050208-41	INSERT BOLT	M10X1.25X40L	8	
	28	A080091-41	SPACER	Ø21XØ34X4.0t	2	

D1028-062A

A300 Parts Manual-Chassis
SWING ARM SUB ASS'Y



D1028-061A

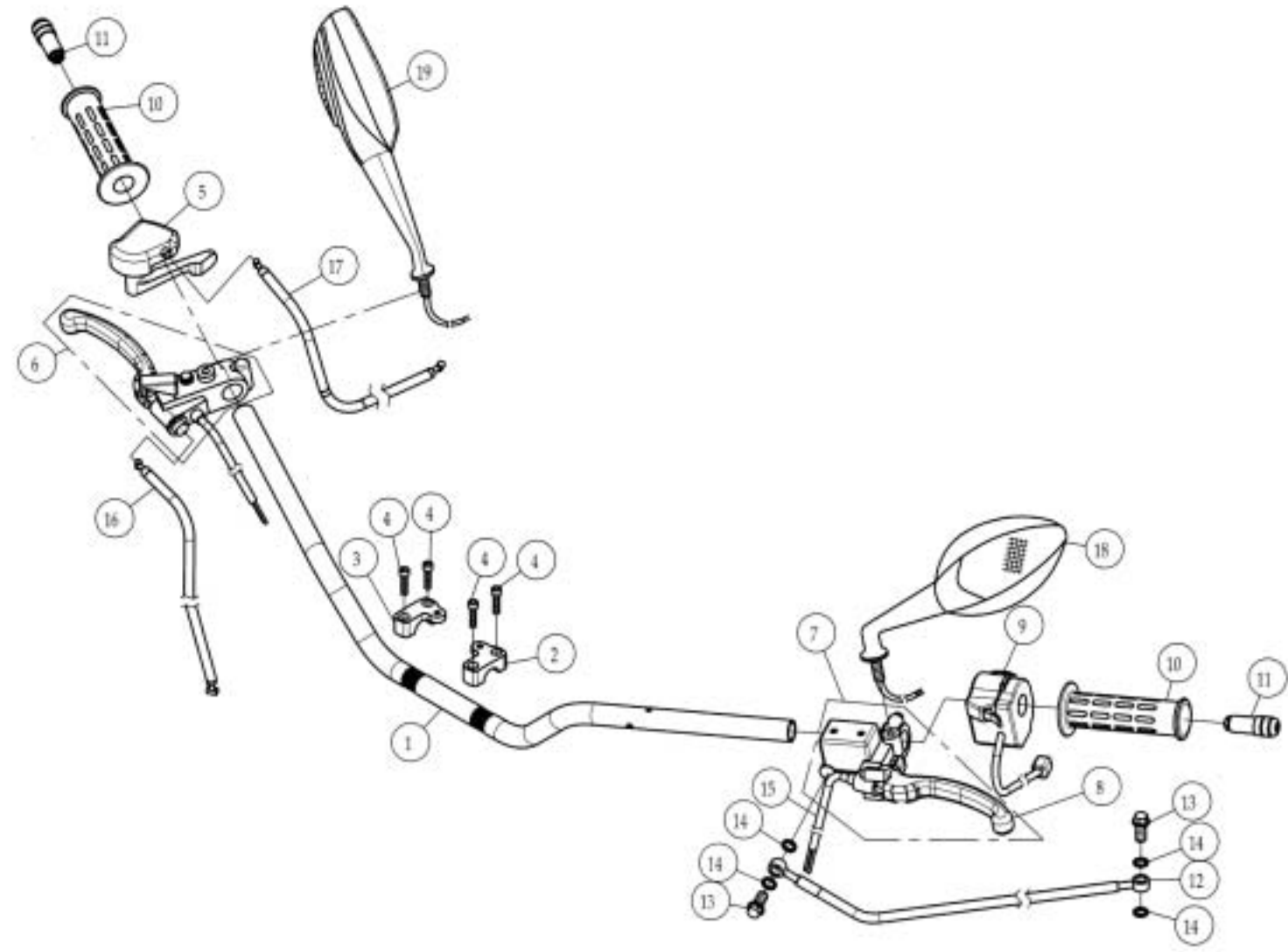
A300 Parts Manual-Chassis

SWING ARM SUB ASS'Y

Model	Item	Part no	Description	Specification	Quality	Note
	29	A080092-41	SPACER	Ø20.2XØ40X2.5t	2	
	30	A060058-42	HEX SLOTTED&CASTLE NUTS	M20X1.5	2	
	31	A070031-41	PIN	Ø3.5X45L	2	
	32	F020153-00	RUBBER CAP		2	
	33	F140089-00	SPACER TUBE	Ø14.1XØ20X198.6L	1	
	34	F020474-00	BUSH		2	
	35	F140180-00	CHAIN GUIDE		1	
	36	F020030-00	SEAL, COVER		2	
	37	A050194-41	HEX WASHER FACE BOLT	M14X1.5X242L	1	
	38	A060006-41	INSERT LOCK NUT	M14X1.5	1	
	39	F140173-00	SPROCKET,PROTEC COVER		1	
	40	A050057-41	HEX WASHER FACE BOLT	M8X1.25X15L	4	
	41	A050017-43	HEX WASHER FACE BOLT	M6X1.0X12L	2	
	42	A050217-44	HEX WASHER FACE BOLT	M10X1.25X85L	3	
	43	A060050-41	HEX INSERT LOCK NUT	M8X1.25	3	
	44	F140148A00	CHAIN	530X98LINK.	1	

D1028-063A

A300 Parts Manual-Chassis
HANDLEBAR(E-MARK)



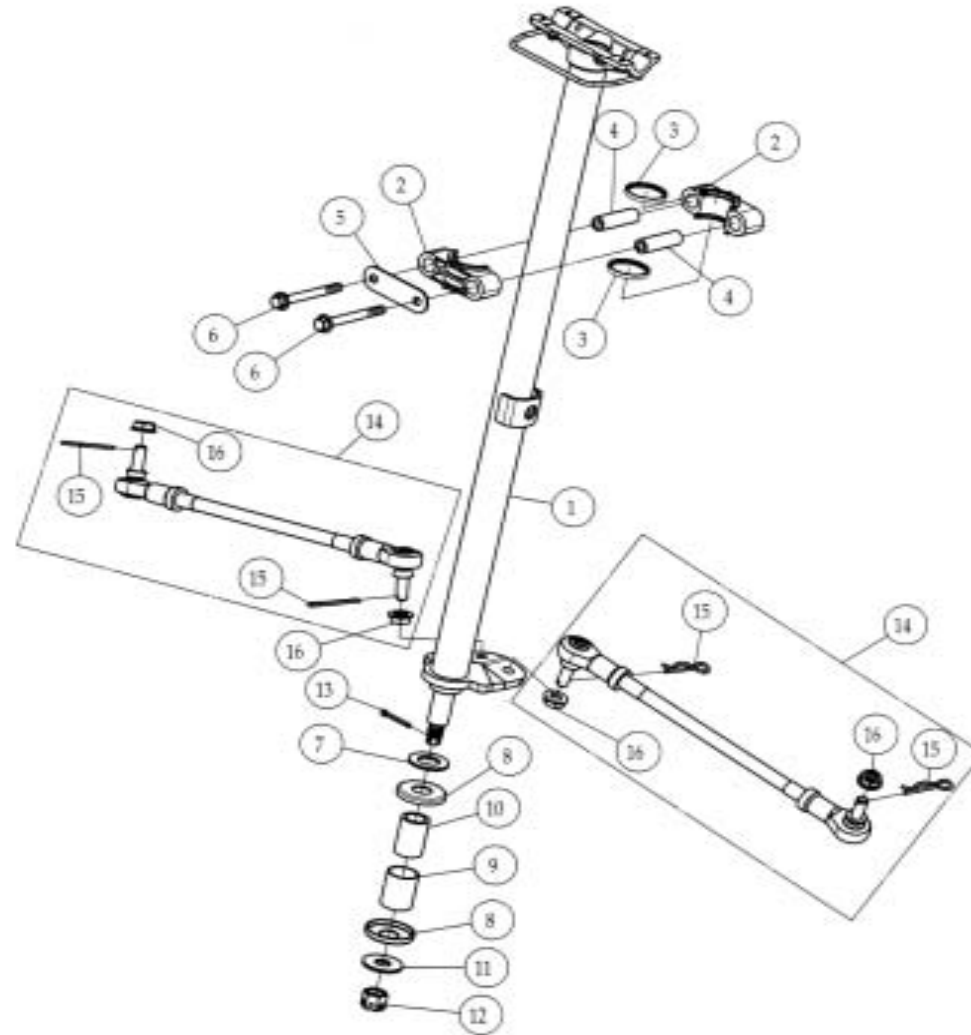
D1028-071A

A300 Parts Manual-Chassis**HANDLEBAR(E-MARK)**

Model	Item	Part no	Description	Specification	Quality	Note
	01	F140191A00	HANDLEBAR		1	
	02	F020117-00	HANDLEBAR BRACKET	RIGHT SIDE	1	
	03	F020118-00	HANDLEBAR BRACKET	LEFT SIDE	1	
	04	A050029-43	HEX SOCKET SCREW	M6X1.0X25L	4	
	05	A190065-00	RIGHT LEVER ASSEMBLY		1	
	06	A190085-00	RIGHT LEVER ASSEMBLY	MANUAL BRAKE STOPPER	1	
	07	A190086-00	LEFT LEVER ASSEMBLY	Ø14	1	
	08	F020268-00	LEFT LEVER		1	
	09	A190066A00	LEFT SWITCH ASSEMBLY		1	
	10	F140130-00	HANDLE GRIP		2	
	11	F140128-00	BALANCE,LEVER ASSEMBLY		2	
	12	F180044-00	OIL TUBE		1	
	13	A050009-44	HEX WASHER FACE BOLT	M10X1.25X22L	2	
	14	A080011-00	SPACER	Ø10.3XØ15X1.5t	4	
	15	A190029-00	BRAKE SENSOR		1	
	16	F180045-00	BRAKE CABLE		1	
	17	F140127-00	WIRE		1	
	18	A180059-00	BACK MIRROR&DIRECTIONAL LIGHT	LEFT SIDE	1	
	19	A180060-00	BACK MIRROR&DIRECTIONAL LIGHT	RIGHT SIDE	1	

D1028-072A

STEERING



D1028-081A

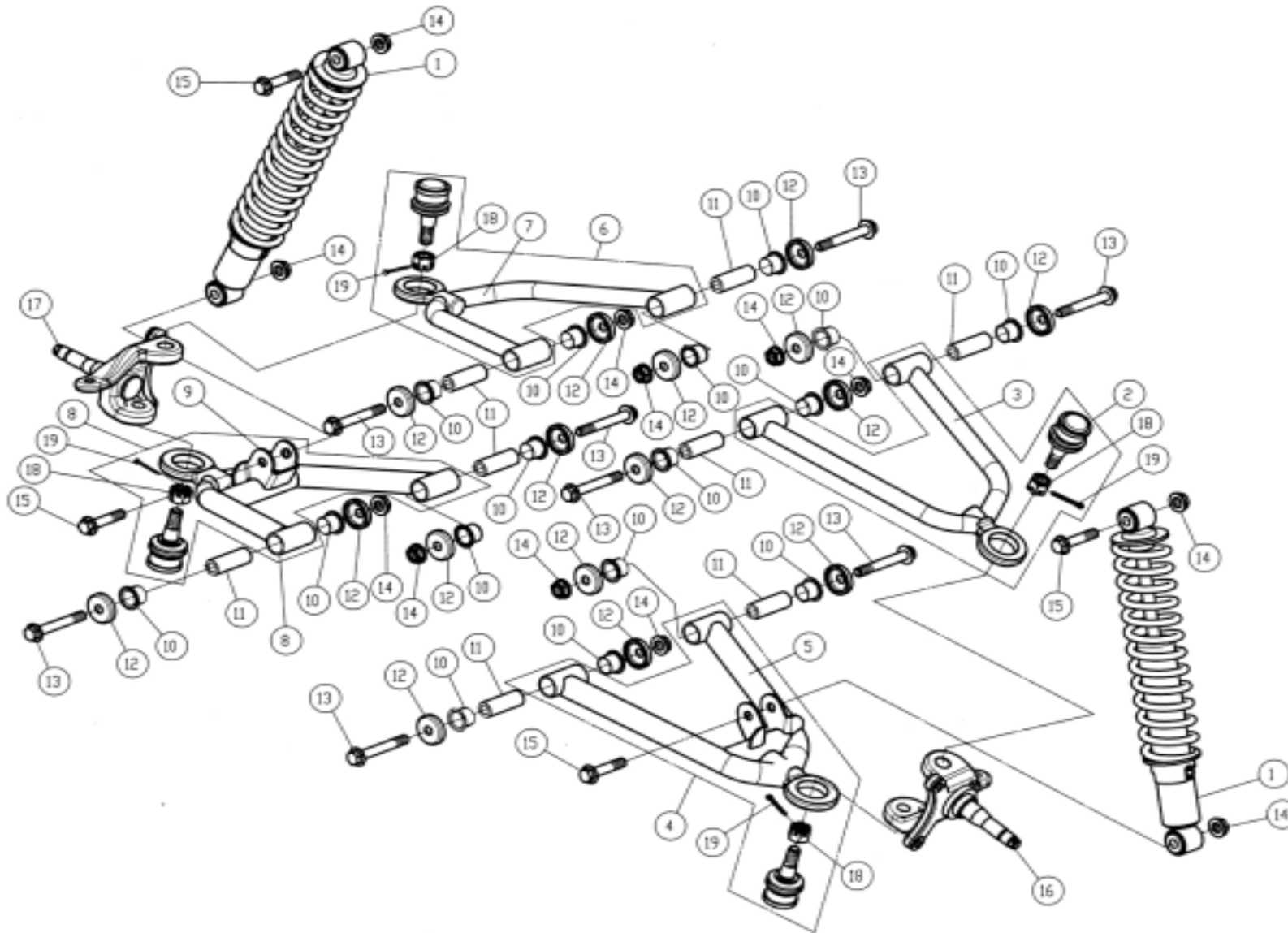
A300 Parts Manual-Chassis

STEERING

Model	Item	Part no	Description	Specification	Quality	Note
	01	F140024-48	STEERING SHAFT		1	
	02	F140019-00	STEERING SHAFT BRACKET		2	
	03	A030034-00	SEAL		2	
	04	F140145-42	BUSH, STEERING SHAFT	Ø8.2XØ14X47L	2	
	05	F140082-41	BRACKET		1	
	06	A050199-41	HEX WASHER FACE BOLT	M8X1.25X75L	2	
	07	A080088-41	SPACER	Ø20XØ36X2.5t	1	
	08	F140142-00	SEAL, COVER	Ø18.1XØ35XØ44X6.2t	2	
	09	A020007-00	BEARING,COLLAR	Ø25XØ28X35L	1	
	10	F140033-00	COLLAR	Ø18XØ25X37.5L	1	
	11	A080087-41	PLAIN WASHER	Ø14.5XØ36X2.5t	1	
	12	A060026B42	HEX SLOTTED NUT	M14X1.5-II	1	
	13	A070002-41	PIN	Ø3.2X32L	1	
	14	F140143-00	STEERING TIE-ROD ASS'Y		2	
	15	A070038-00	PIN	Ø1.8XØ10	4	
	16	A060007-41	INSERT LOCK NUT	M10X1.5	4	

D1028-082A

A300 Parts Manual-Chassis
FRONT SUSPENSIONE



D1028-091A

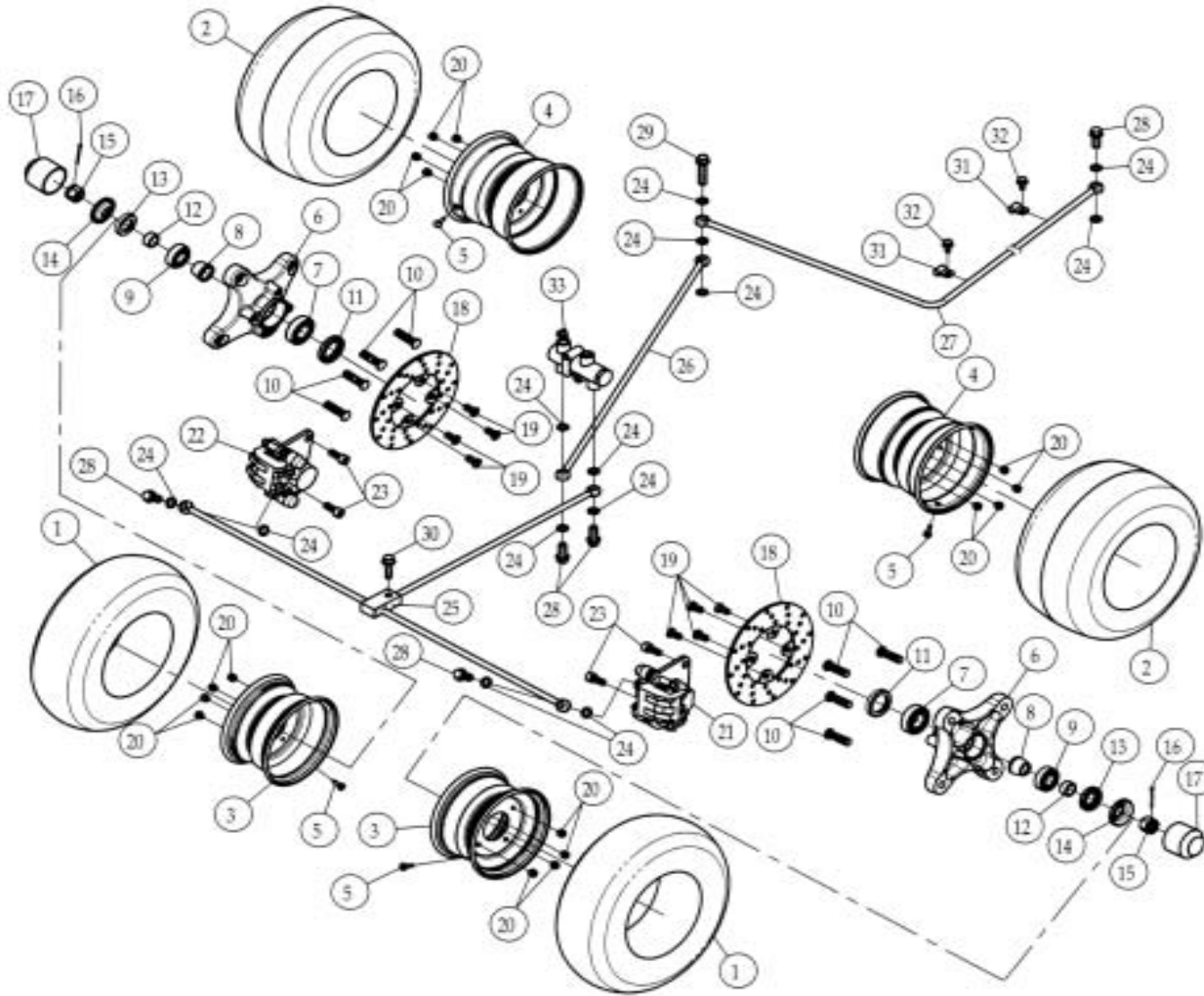
A300 Parts Manual-Chassis

FRONT SUSPENSIONE

Model	Item	Part no	Description	Specification	Quantity	Note
	01	F180032-00	FRONT SUSPENSION		2	
	02	F140152-48	UPPER,ARM ASSEMBLY	RIGHT SIDE	1	
	03	F140034A48	UPPER,ARM	RIGHT SIDE	1	
	04	F140153-48	SUSPENSION ARM ASSEMBLY	RIGHT SIDE	1	
	05	F140035A48	SUSPENSION ARM	RIGHT SIDE	1	
	06	F140154-48	UPPER,ARM ASSEMBLY	LEFT SIDE	1	
	07	F140036A48	UPPER,ARM	LEFT SIDE	1	
	08	F140155-48	SUSPENSION ARM ASSEMBLY	LEFT SIDE	1	
	09	F140037A48	SUSPENSION ARM	LEFT SIDE	1	
	10	A020005-00	BEARING,COLLAR	Ø18XØ20X15L	16	
	11	F140041A00	COLLAR	Ø18XØ10.2X48.5L	8	
	12	F090041-00	SEAL, COVER		16	
	13	A050185-41	HEX WASHER FACE BOLT	M10X1.25X70L	8	
	14	A060007-41	INSERT LOCK NUT	M10X1.25	12	
	15	A050019-41	HEX WASHER FACE BOLT	M10X1.25X48L	4	
	16	F150019-00	KNUCKLE, STEERING ASSEMBLY	LEFT SIDE	1	
	17	F150020-00	KNUCKLE, STEERING ASSEMBLY	RIGHT SIDE	1	
	18	A060025-42	HEX SLOTTED NUT	M10X1.25	4	
	19	A070002-41	PIN	Ø3.2X32L	4	

D1028-092A

WHEEL



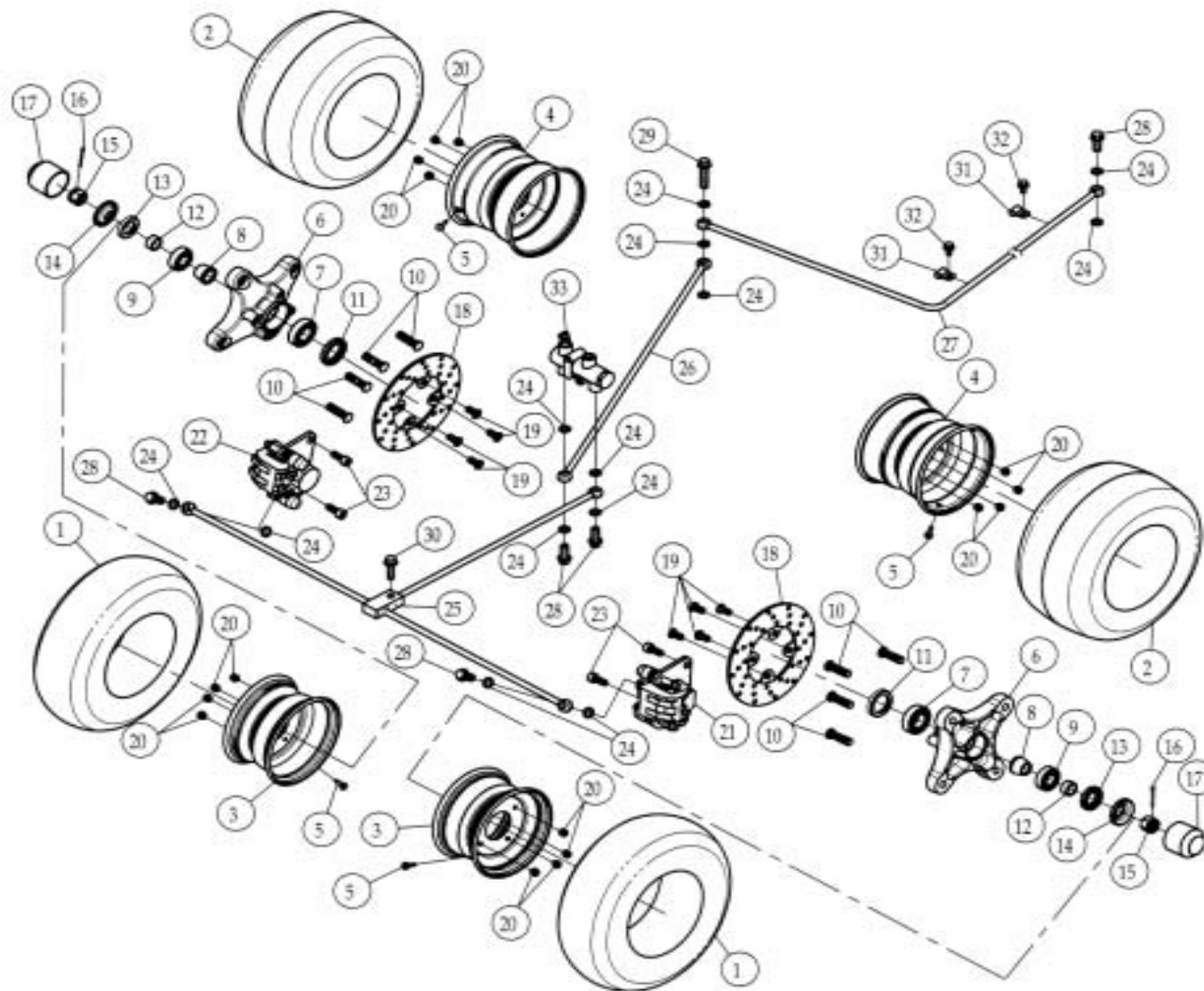
D1028-101A

A300 Parts Manual-Chassis**WHEEL**

Model	Item	Part no	Description	Specification	Quality	Note
	01	F150008	FRONT TIRE	21X7-10"	2	
	02	F150009	REAR TIRE	20X11-9"	2	
	03	F150001-49	FRONT WHEEL RIM	10X5.5"	2	
	04	F150002-49	REAR WHEEL RIM	9X8.5"	2	
	05	F020154-00	RIM VALVE		4	
	06	F150005-52	SHAFT CONNECTER	RED	2	
	07	A010025-04	BEARING,RADIAL BALL	6004LLU	2	
	08	F150004-41	BUSH, STEERING SHAFT		2	
	09	A010021-04	BEARING,RADIAL BALL	6202LLU	2	
	10	A050208-41	INSERT BOLT	M10X1.25X35L	8	
	11	A030029-00	OIL SEAL	TC28X42X7t	2	
	12	A090027-45	BUSH, STEERING SHAFT	Ø15XØ20X10.5L	2	
	13	A030016-00	OIL SEAL	TC20X35X7t	2	
	14	F020478-42	RUBBER CAP BRACKET		2	
	15	A060004-42	HEX SLOTTED NUT	M14X1.5-II	2	
	16	A070011-41	PIN	Ø2.5X32L	2	
	17	F020153-00	RUBBER CAP		2	
	18	F150003-00	DISC,BRAKE	Ø160	2	
	19	A050183-41	POSITION,BOLT	M8X1.25X17L	8	
	20	A060061-41	NUT	M10X1.25	16	
	21	F150010-00	OIL PRESSUER BRAKE		1	
	22	F150011-00	OIL PRESSUER BRAKE		1	
	23	A050197-41	BOLT, SOCKET	M8X1.25X21L	4	
	24	A080011-00	SPACER	Ø10.3XØ15X1.5t	13	
	25	F180043-00	OIL TUBE		1	
	26	F180046-00	OIL TUBE	PUMP - OIL PRESSUER	1	
	27	F140134-00	OIL TUBE		1	
	28	A050009-44	HEX WASHER FACE BOLT	M10X1.25X22L	5	

D1028-102A

WHEEL



D1028-101A

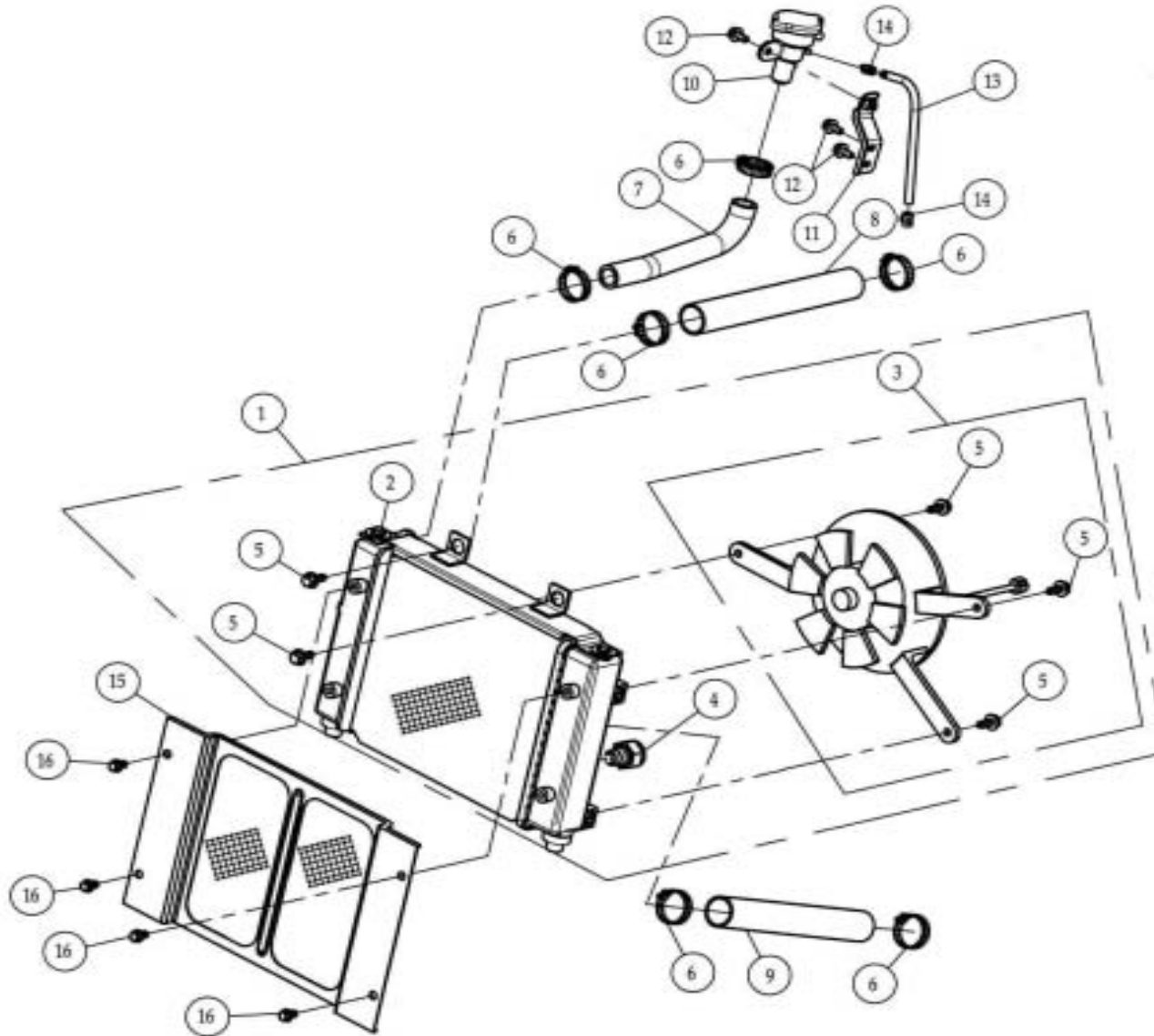
A300 Parts Manual-Chassis

WHEEL

Model	Item	Part no	Description	Specification	Quality	Note
	29	A050196-44	HEX WASHER FACE BOLT	M10X1.25X39L	1	
	30	A050186-41	HEX WASHER FACE BOLT	M8X1.25X28L	1	
	31	A220011-00	CLIP		2	
	32	A050017-41	HEX WASHER FACE BOLT	M6X1.0X12L	2	
	33	A220015-00	PUMP	Ø14	1	

D1028-103A

WATER TANK



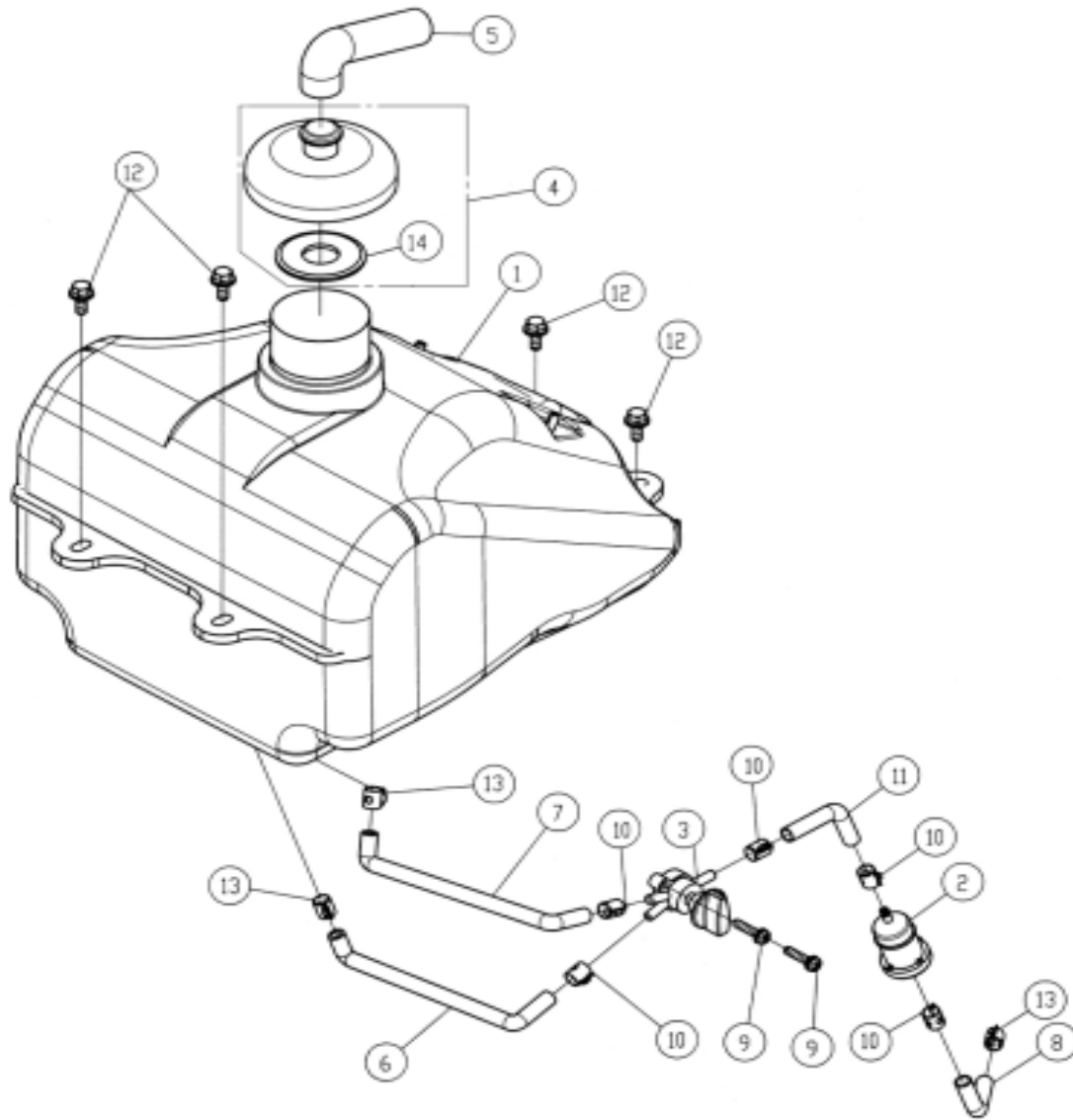
D1028-111A

A300 Parts Manual-Chassis**WATER TANK**

Model	Item	Part no	Description	Specification	Quality	Note
	01	F140021-00	COOLER ASSEMBLY		1	
	02	F140021-01	COOLER		1	
	03	F140023-00	COOLING FAN ASSEMBLY		1	
	04	A190055-00	COOLING SENCER	M10	1	
	05	A050023-41	HEX BOLT	M6X1.0X16L	5	
	06	F150127-41	TUBE CLIP	Ø30	6	
	07	F140159A00	TUBE B		1	
	08	F140161-00	TUBE D		1	
	09	F140160-00	TUBE C		1	
	10	F140157-00	WATER FILLER ASS.		1	
	11	F140119A50	BRACKET,WATER FILLER		1	
	12	A050017-41	HEX WASHER FACE BOLT	M6X1.0X12L	3	
	13	F140163-00	TUBE		1	
	14	F020452-00	CLIP		2	
	15	F180038-50	COLLER COVER		1	
	16	A050081-43	HEX WASHER FACE BOLT	M6X1.0X10L	4	

D1028-112A

FUEL TANK



D1028-121A

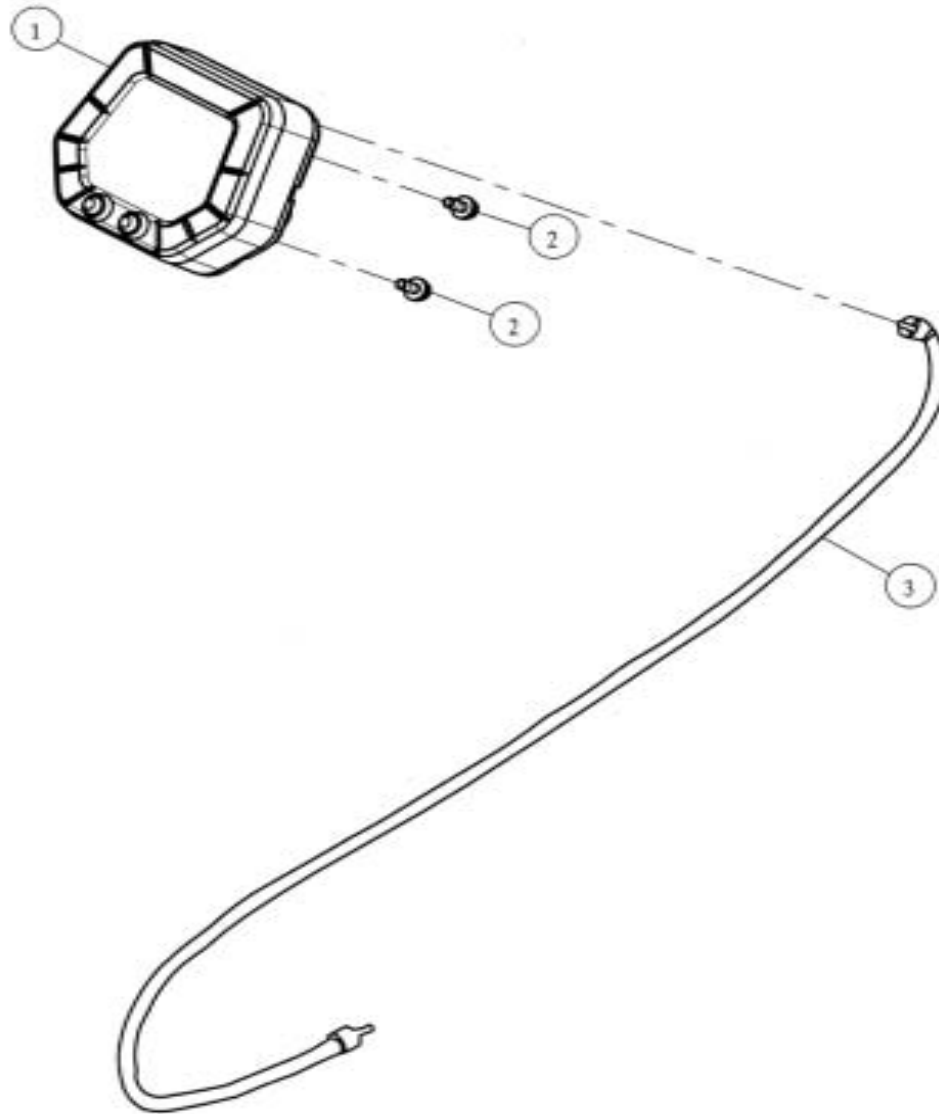
A300 Parts Manual-Chassis

FUEL TANK

Model	Item	Part no	Description	Specification	Quantity	Note
	01	F140029-00	FUEL TANK		1	
	02	F020143-00	FUEL FILTER ASSEMBLY		1	
	03	F140190-00	FUEL SHUT OFF VALVE		1	
	04	F140030-00	WATER TANK CAP		1	
	05	F020145-00	BREATHE TUBE		1	
	06	A220006-00	TUBE A		1	
	07	A220007-00	TUBE B		1	
	08	A220008-00	TUBE C		1	
	09	A050099-41	PAN HEAD BOLT	M5X0.8X23L	2	
	10	F020197-00	CLIP	9.2X0.6	5	
	11	F050090-00	TUBE		1	
	12	A050023-41	HEX BOLT	M6X1.0X16L	4	
	13	A220010-00	CLIP	Ø11X8X0.7t	3	
	14	F140229-00	FUEL TANK RUBBER		1	

D1028-122A

SPEEDOMETER



D1028-131A

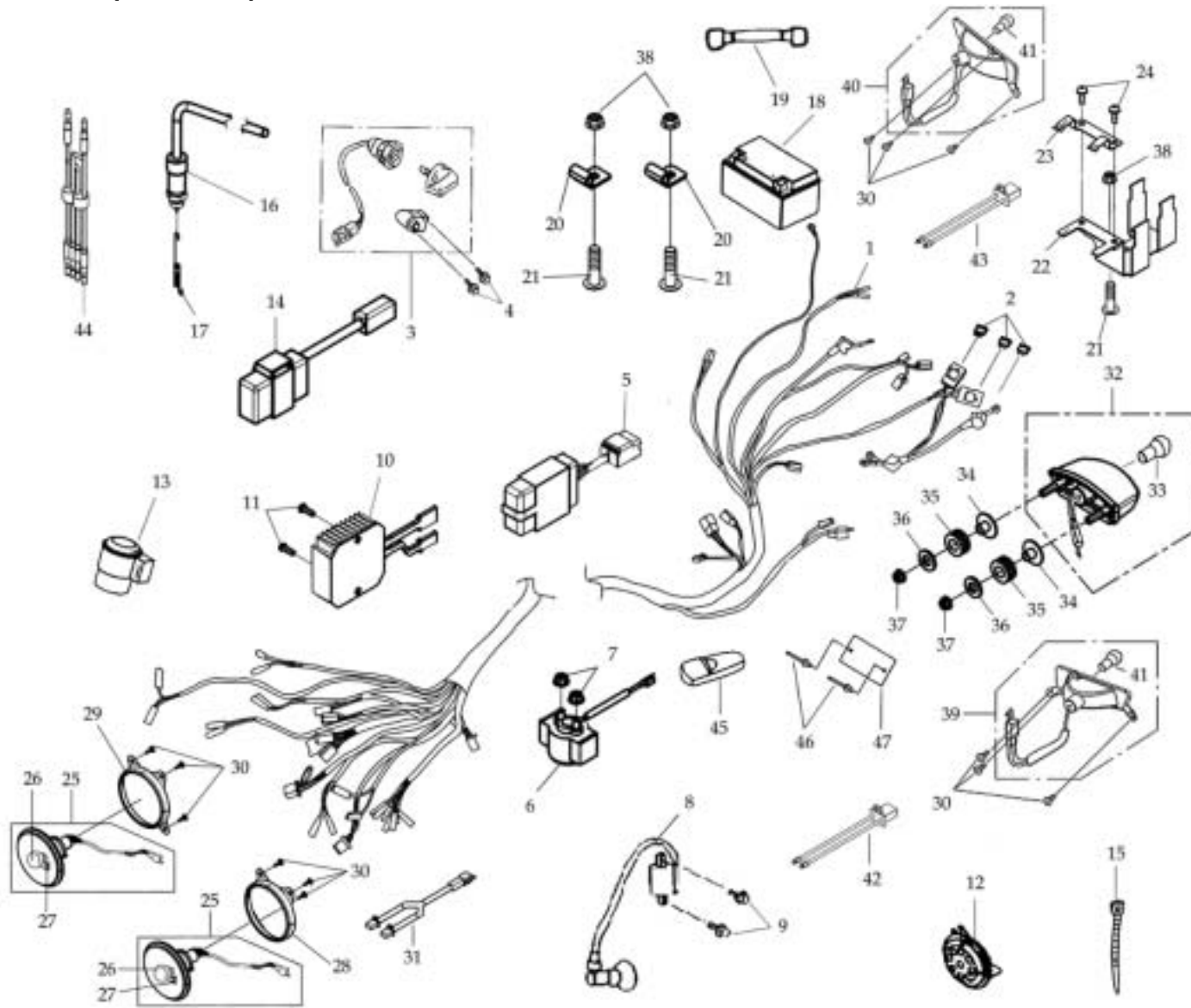
A300 Parts Manual-Chassis

SPEEDOMETER

Model	Item	Part no	Description	Specification	Quality	Note
	01	F140116A01	SPEEDOMETER		1	
	02	A050095-41	HEAD BOLT	M5X0.8X12L	2	
	03	F140199-00	SPEEDOMETER WIRE		1	

D1028-132A

WIRE HARNESS(E-MARK)



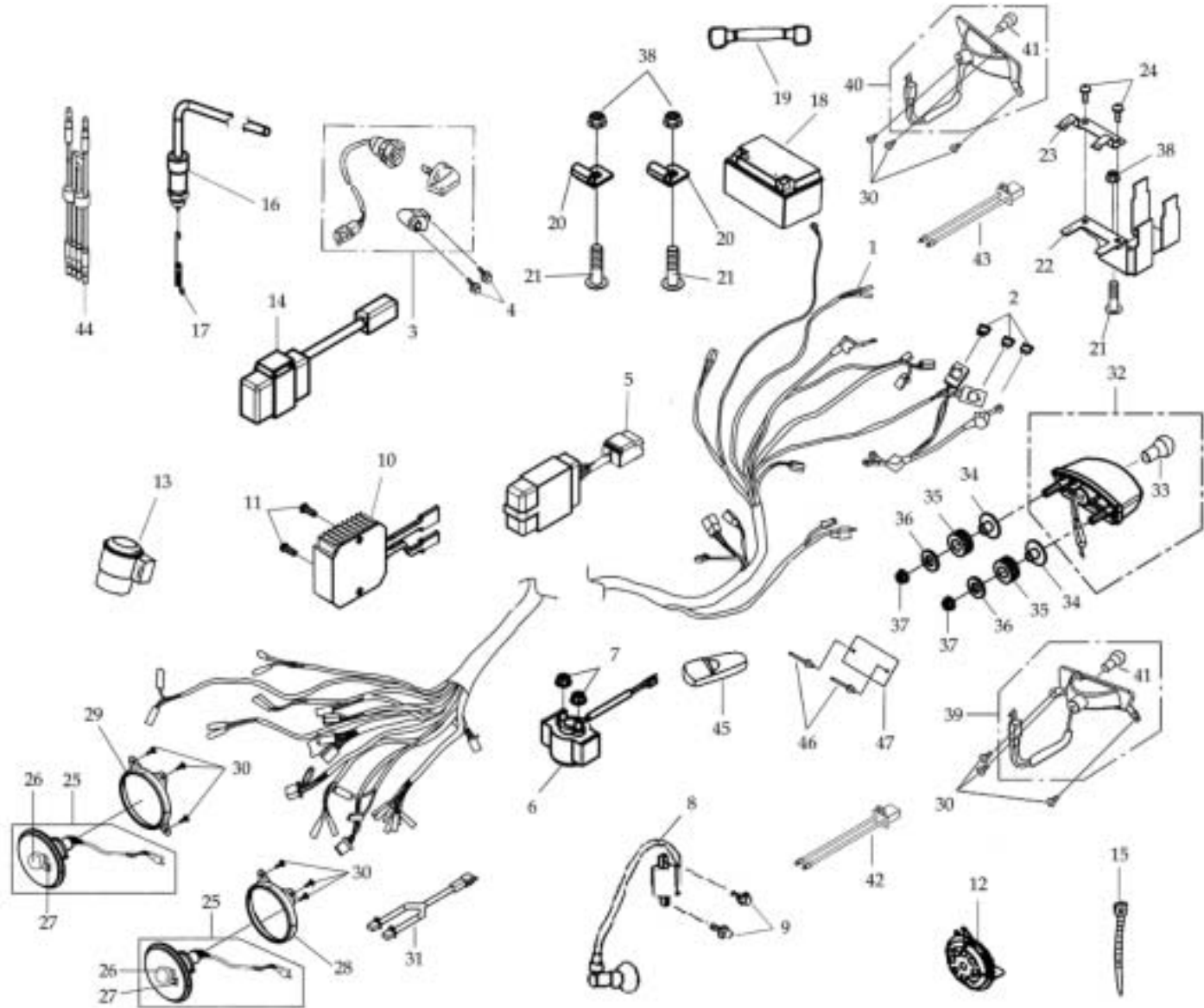
D1028-141B

A300 Parts Manual-Chassis**WIRE HARNESS(E-MARK)**

Model	Item	Part no	Description	Specification	Quality	Note
	01	F140165-00	MAIN CABLE ASSEMBLY		1	
	02	A190073-00	FUSE	15A	3	
	03	F020306A02	MAIN SWITCH	E-Mark	1	
	04	A050090-41	SOLTTED HEAD BOLT	M6X1.0X12L	2	
	05	A190052-00	C.D.I. UNIT ASSEMBLY		1	
	06	A190064-00	STARTER RELAY ASSEMBLY		1	
	07	A060009-41	HEX WASHER FACE NUT	M6X1.0	2	
	08	A190068-00	IGNITION COIL ASSEMBLY		1	
	09	A050144-41	HEX BOLT	M5X0.8X20L	2	
	10	A190063-00	RECTIFIER		1	
	11	A050156-41	PAN HEAD BOLT	M6X1.0X16L	2	
	12	A190083-00	HORN		1	
	13	A190080-00	DIRECTIONAL LIGHT RELAY		1	
	14	A190070-00	FLASHER RELAY		1	
	15	F020188-00	STRAP	L=177mm	35	
	16	A190054-00	FOOT BRAKE SENSOR		1	
	17	A110036A43	SPRING		1	
	18	A190069-00	BATTERY	YTX12-BS	1	
	19	F140141-00	RUBBER BAND,BATTERY		1	
	20	F140126-00	BRACKET,RUBBER BAND		2	
	21	A050214-41	BOLT	M6X1.0X25L	3	
	22	F140125A50	BRACKET, ELECTRICS		1	
	23	F140124-00	BRACKET,FUSE BOX		1	
	24	A050159-41	HEAD BOLT	M5X0.8X10L	2	
	25	F100010-00	HEAD LIGHT		2	
	26	A180054-00	BULB	12V-35/35W(E-Mark)	2	
	27	A180049-00	BULB	12V-5W(E-Mark)	2	
	28	F180011-50	HEAD LIGHT BRACKET	LIFT SIDE	1	

D1028-142B

WIRE HARNESS(E-MARK)



D1028-141B

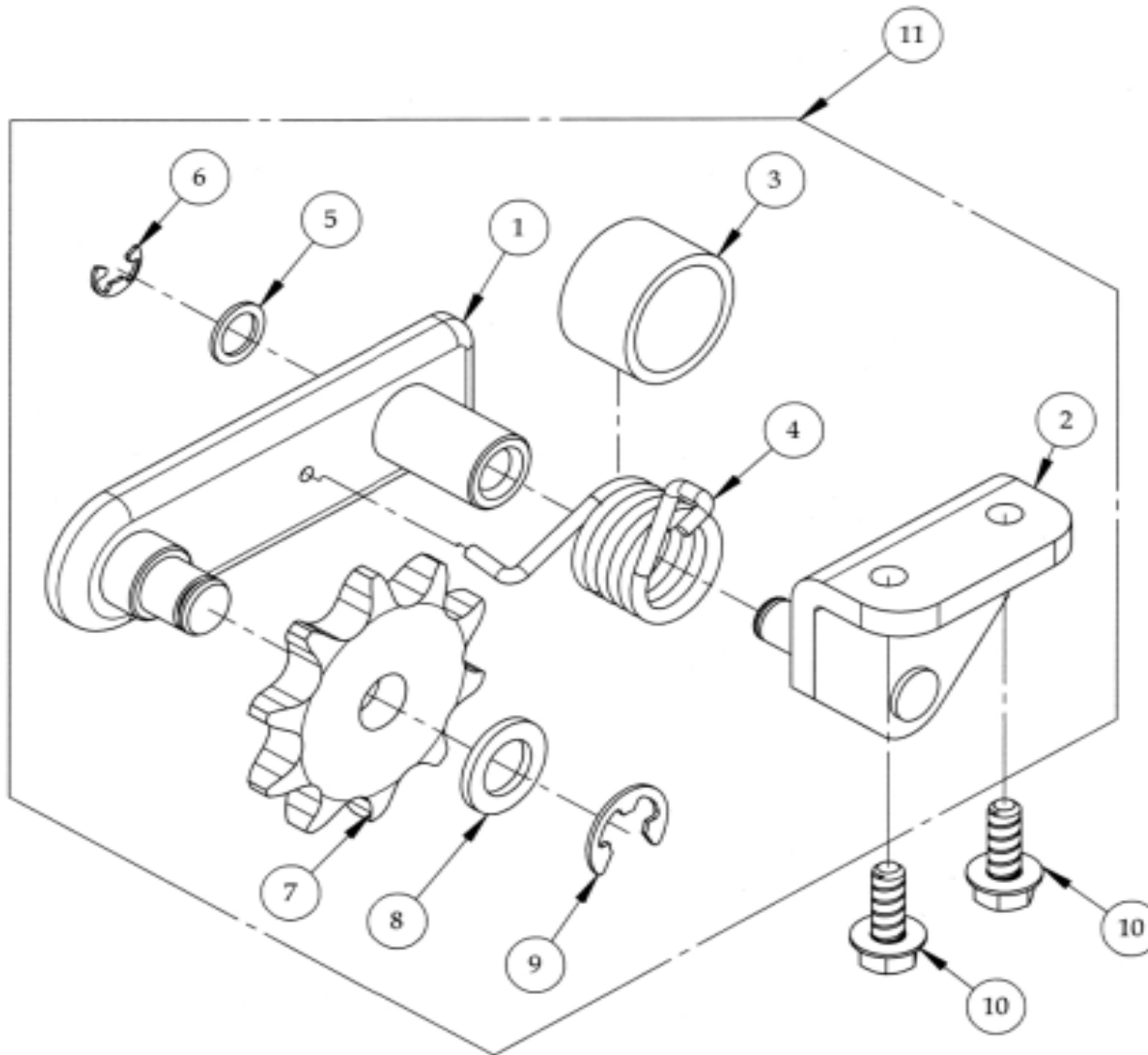
A300 Parts Manual-Chassis

WIRE HARNESS(E-MARK)

Model	Item	Part no	Description	Specification	Quality	Note
	29	F180027-50	HEAD LIGHT BRACKET	RIGHT SIDE	1	
	30	A130002-43	TAPPING SCREW	4X12L	12	
	31	A180063-00	DISTRIBUTION CABLE		1	
	32	A180057-00	TAIL LIGHT	JUTE 0002-T	1	
	33	A180053-00	BULB	P21/5W(E-Mark)	1	
	34	F140079-42	T TYPE BUSH		2	
	35	F140156-00	DAMPER		2	
	36	A080068-41	SPACER	Ø9XØ18X2t	2	
	37	A060027-41	INSERT LOCK NUT	M6X1.0	2	
	38	A060017-41	HEX WASHER FACE BOLT	M6X1.0	3	
	39	F040086A00	DIRECTIONAL LIGHT(CE)	LIFT SIDE	1	
	40	F040087A00	DIRECTIONAL LIGHT(CE)	RIGHT SIDE	1	
	41	A180051-00	BULB	12V/10W(E-Mark)	2	
	42	A180065-00	DISTRIBUTION CABLE	LIFT SIDE	1	
	43	A180064-00	DISTRIBUTION CABLE	RIGHT SIDE	1	
	44	A180072-00	DISTRIBUTION CABLE	BRAKE SENSOR	1	
	45	F140140-00	TOOL KIT		1	
	46	F020200-00	RIVET		2	
	47		LICENCE PLATE		1	

D1028-143B

IDLE GEAR



D1028-151A

A300 Parts Manual-Chassis

IDLE GEAR

Model	Item	Part no	Description	Specification	Quality	Note
	01	F140225-48	BRACKET,IDLE GEAR		1	
	02	F140230-44	BRACKET,CHAIN GUIDE		1	
	03	F140228-00	RUBBER CAP	Ø23XØ28X17L	1	
	04	A110044-41	TORSION SPRING		1	
	05	A080103-00	SPACER	Ø9.2XØ13X1t	1	
	06	A100014-43	RETAINING RINGS E TYPE	Ø6	1	
	07	A170012-00	IDLE GEAR		1	
	08	A080052-00	SPACER	Ø12.2XØ20X2.0	1	
	09	A100002-43	RETAINING RINGS E TYPE	Ø10	1	
	10	A050024-41	HEX WASHER FACE BOLT	M6X1.0X16L	2	
	11	F140232-01	IDLE GEAR ASSEMBLY		1	

D1028-152A

STICKERS



1

⚠ WARNING
IMPROPER TIRE PRESSURE OR OVERLOADING
CAN CAUSE LOSS OF CONTROL.
LOSS OF CONTROL CAN RESULT IN SEVERE
INJURY OR DEATH.

COLD TIRE PRESSURE: Set with tires cold

- Recommended - FRONT : 30 kpa (0.3 bar) 4-tyre
REAR : 30 kpa (0.3 bar) 4-tyre
- Minimum : FRONT : 20 kpa (0.3 bar) 4-tyre
REAR : 20 kpa (0.3 bar) 4-tyre

• Never set tire pressure below minimum. It could cause the tire to dislodge from the rim.

LOADING
Maximum Vehicle Load : 165 kg (363 lbs)
Includes weight of operator, cargo and accessories.

2

⚠ WARNING

The central warning sticker contains six circular icons arranged in a 3x2 grid. The top-left icon shows a tire pressure gauge with a diagonal slash through it. The top-right icon shows a drive shaft with 'D' and 'R' and arrows indicating rotation. The middle-left icon shows '165kg MAX' in a circle. The middle-right icon shows a person sitting on a carrier with '16 YEARS' written above. The bottom-left icon shows a hand holding a tool with a diagonal slash through it. The bottom-right icon shows a carrier with a person on it and a diagonal slash through it.

3

⚠ WARNING
NEVER carry passenger on this carrier.
MAXIMUM LOAD : 30 kg (66 lbs)

4

D1028-161B

STICKERS

Model	Item	Part no	Description	Specification	Quality	Note
	01	A990211-01	DECAL		1	
	02	A990215-00	WARRING LABEL		1	
	03	A990213-00	WARRING LABEL		1	
	04	A990218-00	WARRING LABEL		2	