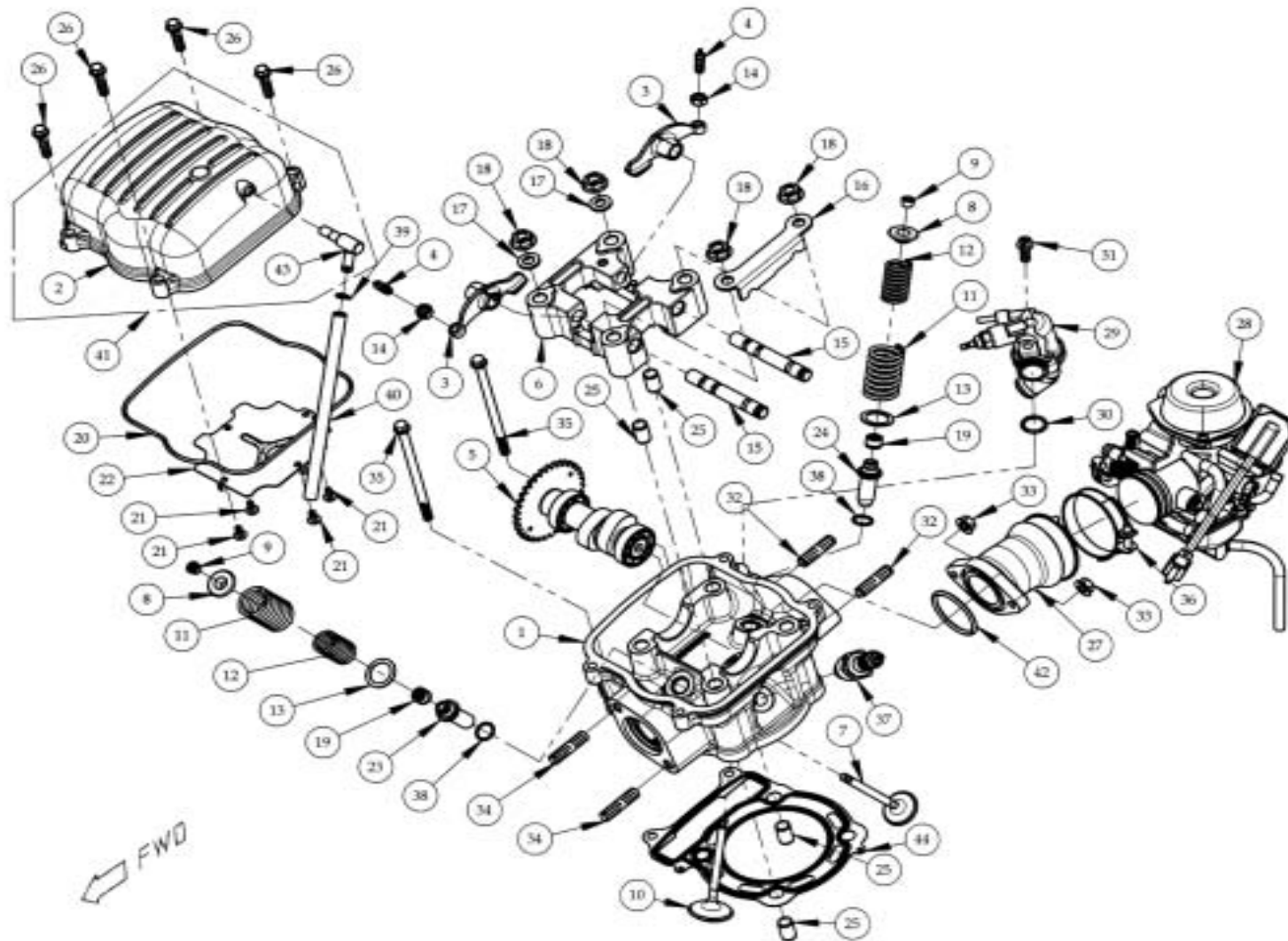


CYLINDER HEAD & CARBURETOR



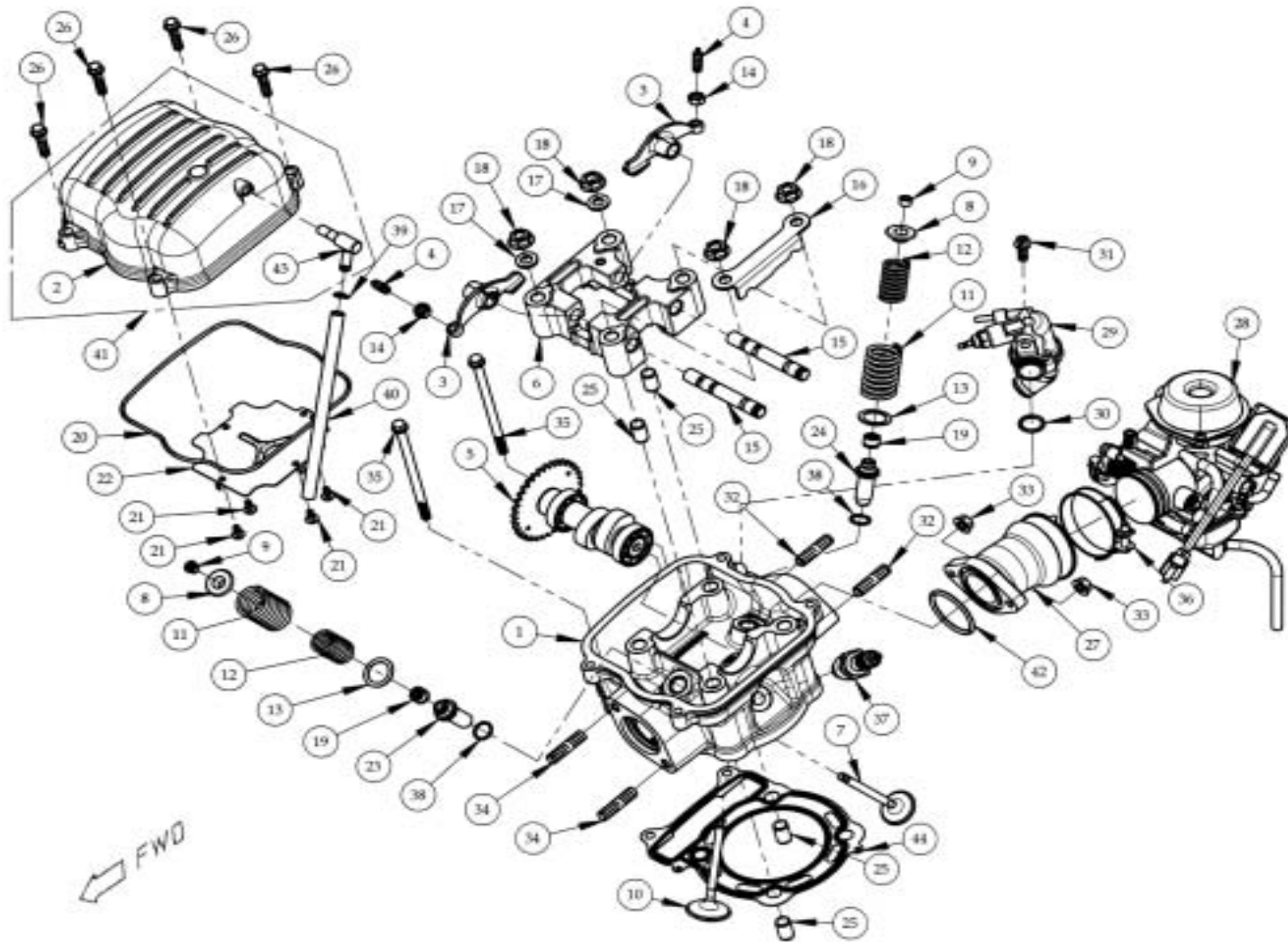
D2017-011A

CYLINDER HEAD & CARBURETOR

Model	Item	Part no	Description	Specification	Qty	Note
	01	E130007-49	CYLINDER HEAD COMP		1	
	02	E130008-49	CYLINDER HEAD COVER		1	
	03	E130019-00	VALVE ROCKER ARM		2	
	04	E020061-00	SCREW, TAPPET ADJUSTING		2	
	05	E130010-00	CAMSHAFT COMP		1	
	06	E130011-02	CAMSHAFT HOLDER		1	
	07	E130015-00	EXHAUST VALVE		1	
	08	E130058-00	RETAINER, VALVE SPRING		2	
	09	E130083-00	VALVE KEEPER		4	
	10	E130014-00	INTAKE VALVE		1	
	11	A110031-00	OUTER VALVE SPRING		2	
	12	A110033-00	INNER VALVE SPRING		2	
	13	E020059-00	SEAT, VALVE SPRING		2	
	14	E020062-00	NUT, TAPPER ADJUSTING	M6X0.75	2	
	15	E130021-00	SHAFT, ROCKER ARM		2	
	16	E130020-00	HOLDER, ROCKER ARM		1	
	17	A080025-41	WASHER	8.2X 15X2t	2	
	18	A060013-41	NUT, FLANGE	M8X1.25	4	
	19	A030025-01	SEAL, VALVE STEM	5.5	2	
	20	E130081-00	GASKET,CYLINDER HEAD COVER		1	
	21	A050163-41	SCREW, PANHEAD	M4X0.5X8L	4	
	22	E130080-00	PLATE		1	
	23	E130076-01	GUIDE, EX. VALVE		1	
	24	E130075-01	GUIDE, IN. VALVE		1	
	25	A070019-00	DOWEL PIN	8.2X 10X16L	4	
	26	A050121-41	BOLT, FLANGE	M6X1.0X25L	4	
	27	E130079-00	CONNECTOR, CARBURETOR		1	
	28	E130016-00	CARBURETOR		1	

D2017-012A

CYLINDER HEAD & CARBURETOR



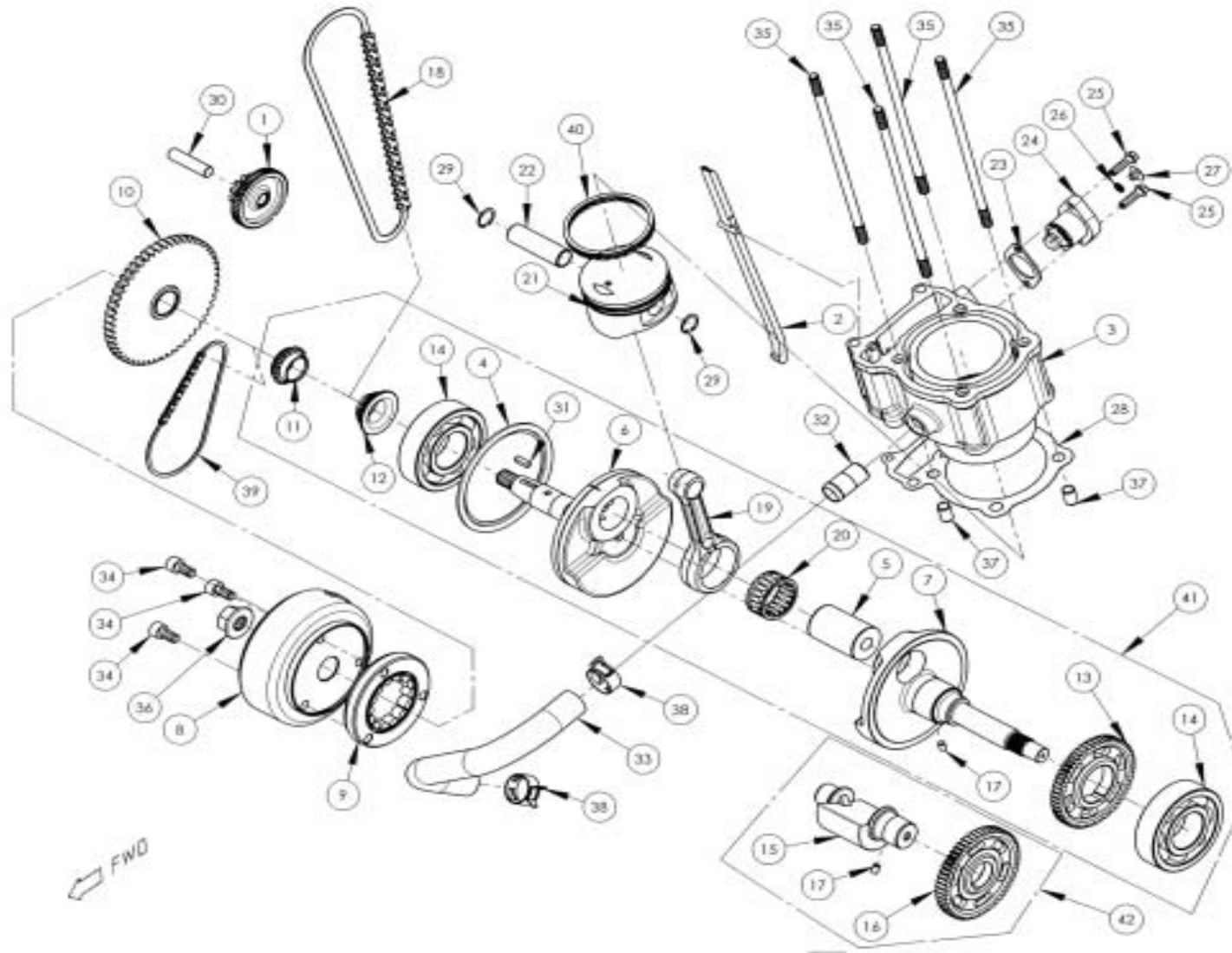
D2017-011A

CYLINDER HEAD & CARBURETOR

Model	Item	Part no	Description	Specification	Qty	Note
	29	E130097-00	CONTROL,COOLING	85	1	
	30	A040005-00	O-RING	P14	1	
	31	A050130-41	BOLT, FLANGE	M6X1.0X16L	1	
	32	A140003-41	STUD BOLT	M6X1.0X30L	2	
	33	A060009-41	NUT, FLANGE	M6X1.0	2	
	34	A140005-41	STUD BOLT	M8X1.25X32L	2	
	35	A050127-41	BOLT, FLANGE	M6X1.0X100L	2	
	36	E020134-00	BAND, INTAKE DUCT	50	1	
	37	A160002-00	SPARK PLUG	NGK,DPR7EA-9	1	
	38	A040025-01	O-RING	S12X1.5,VITON	2	
	39	E020152-41	CLIP		1	
	40	A220002-00	TUBE	6X350L	1	
	41	E130120-00	CYLINDER HEAD COVER ASSY'		1	
	42	A040029-00	O-RING	P35	1	
	43	A220001-41	BREATHER TUBE CONNECT		1	
	44	E130085-00	GASKET, CYLINDER HEAD		1	

D2017-013A

CYLINDER & CRANKSHAFT



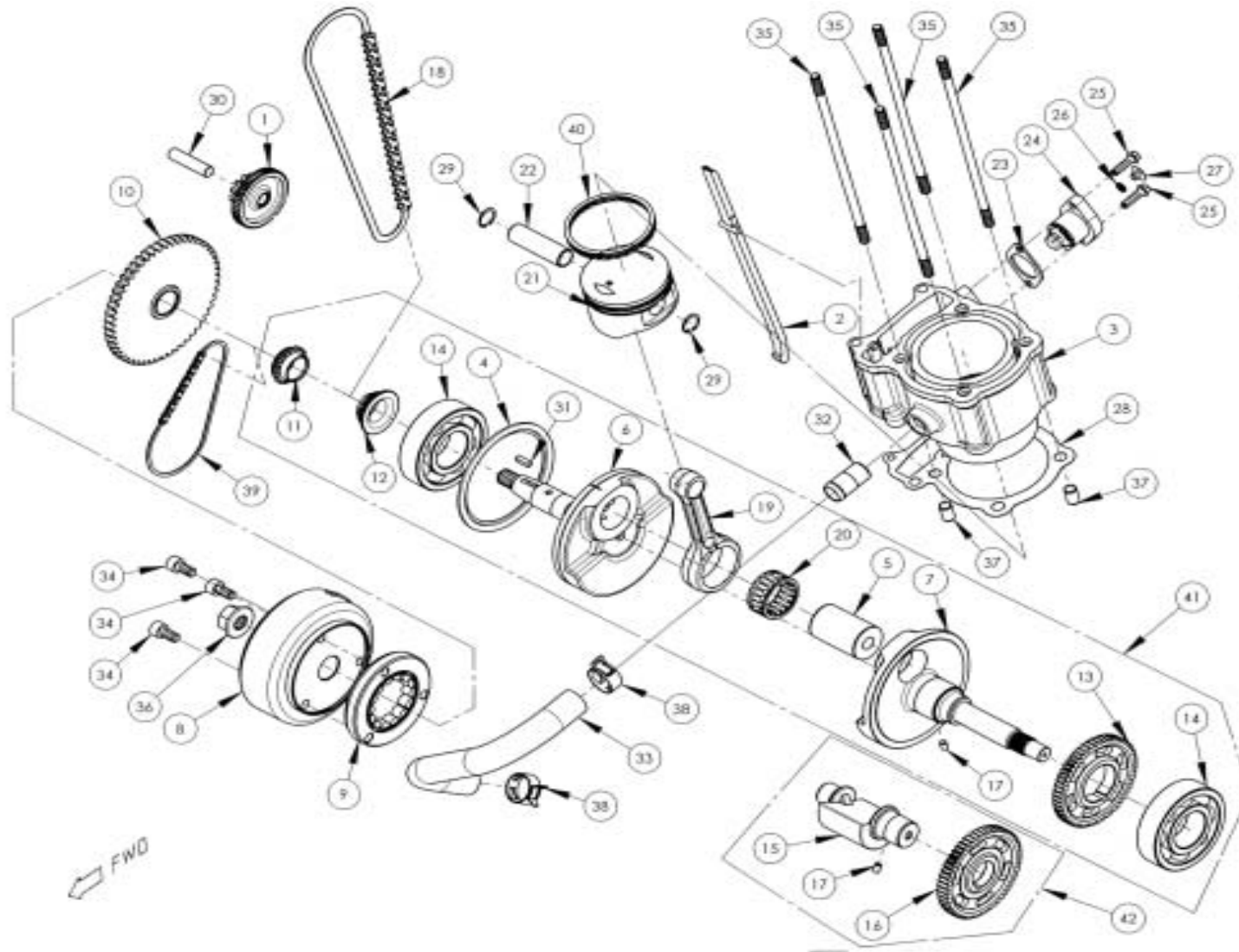
D2017-021A

CYLINDER & CRANKSHAFT

Model	Item	Part no	Description	Specification	Qty	Note
	01	E130059-00	GEAR, STARTER REDUCTION		1	
	02	E130048-00	GUIDE COMP, CAM CHAIN		1	
	03	E130006-49	CYLINDER COMP		1	
	04		COVER,PRESERVE OIL		1	
	05		PIN,PULL ROD		1	
	06		RIGHT CRANKSHAFT		1	
	07		LEFT CRANKSHAFT		1	
	08	E130017-01	FLYWHEEL COMP		1	
	09	E130091-00	START CLUTCH ASSY'		1	
	10	E130046-00	GEAR, STARTER CLUTCH		1	
	11		DRIVEN SPROCKET OIL PUMP	16T	1	
	12		TIMING GEAR	17T	1	
	13		GEAR,CRANKSHAFT	56T	1	
	14		BEARING,RADIAL BALL	TMB307CS19-1	2	
	15	E130025-00	SHAFT,BALANCE		1	
	16	E130044-00	GEAR,BALANCE	56T	1	
	17		PIN	5X8L	2	
	18	E130050-00	CHAIN, CAM	98目	1	
	19		PISTON,PULL ROD		1	
	20		BEARING , NEEDLE ROLLER	35X40X18	1	
	21	E130012-00	PISTON (STD.)		1	
	22	E130013-00	PISTON PIN		1	
	23	E020066-00	GASKET, TENSIONER LIFTER		1	
	24	E020065-00	CAM CHAIN TENSIONER		1	
	25	A050131-41	BOLT, FLANGE	M6X1.0X22L	2	
	26	A040015-00	O-RING	9.5X 1.5	1	
	27	A050148-41	SCREW, PAN HEAD	M6X1.0X6L	1	
	28	E130086-00	GASKET, CYLINDER		1	

D2017-022A

CYLINDER & CRANKSHAFT



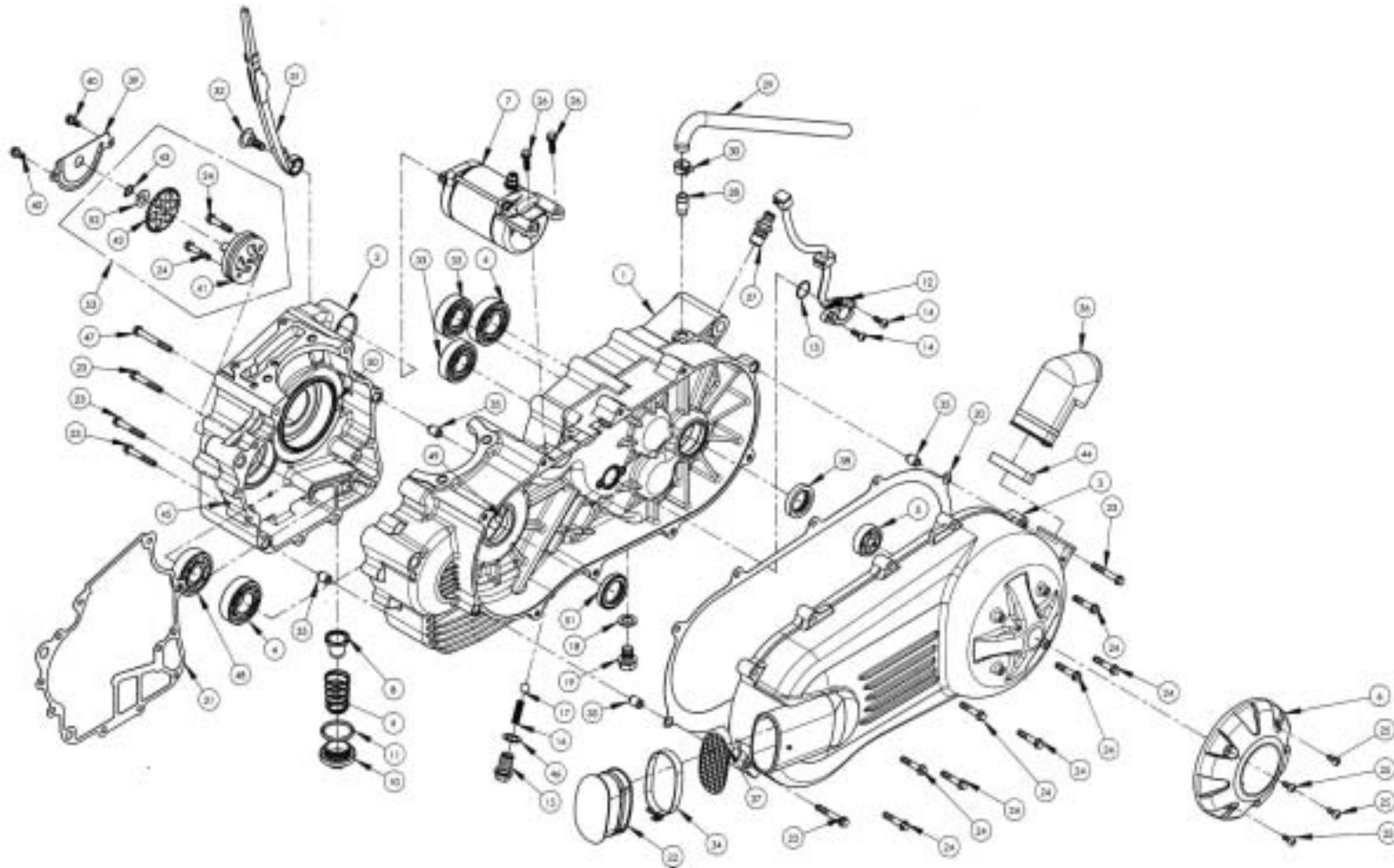
D2017-021A

CYLINDER & CRANKSHAFT

Model	Item	Part no	Description	Specification	Qty	Note
	29	E130042-00	INTERNAL CIRCLIP		2	
	30	A070033-00	SHAFT,REDUCTION GEAR		1	
	31		KEY WOODRUFF	25X4.0t	1	
	32	E130094-41	CONNECTOR,TUBE	19	1	
	33	E130101-00	PIPE,COOLING		1	
	34	A050209-41	BOLT, SOCKET	M8X1.0X17L	3	
	35	A140011-41	BOLT, FLANGE	M8X1.25X219L	4	
	36	A060056-41	NUT, FLANGE	M14X1.25	1	
	37	A070019-00	DOWEL PIN	10X16L	2	
	38	F150127-41	TUBE CLIP		2	
	39	E130051-00	CHAIN,OIL PUMP	46目	1	
	40	E130041-00	RING SET PISTON (STD.)		1	
	41	E130009-00	CRANKSHAFT COMP		1	
	42	E130049-00	BALANCESHAFT COMP		1	

D2017-023A

CRANKCASE



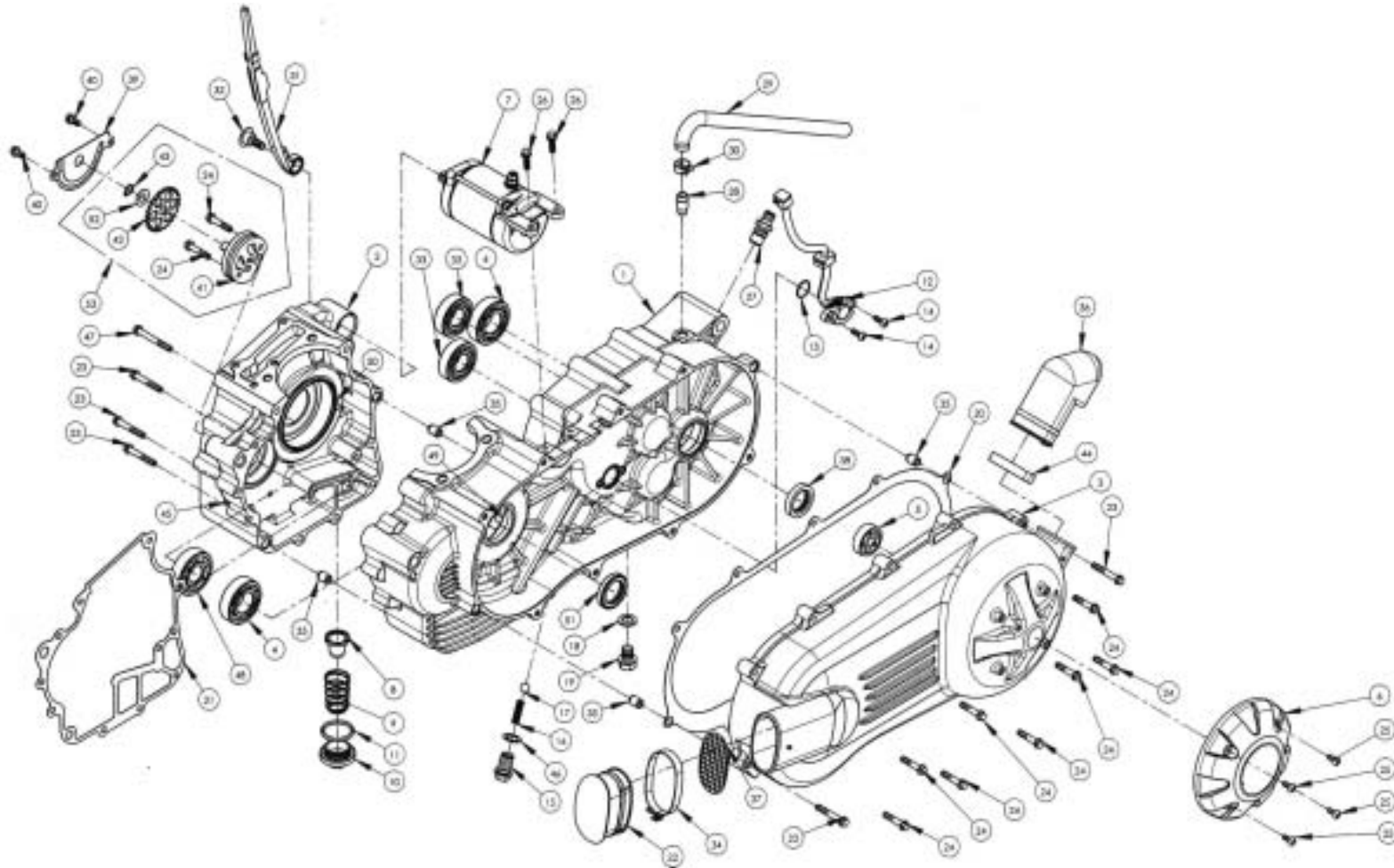
D2017-031A

CRANKCASE

Model	Item	Part no	Description	Specification	Qty	Note
	01	E130001-49	CRANKCASE L.		1	
	02	E130002-49	CRANKCASE R.		1	
	03	E130003-48	COVER, L.		1	
	04	A010045-00	BEARING, RADIAL BALL	6205, 25X 52X15t	2	
	05	A010020-04	BEARING, RADIAL BALL	6300LLU, 10X 35X11t	1	
	06	E130023-03	DECORATION COVER		1	
	07	E130018-00	STARTER MOTOR ASSY'		1	
	08	E020072-00	SCREEN, OIL FILTER		1	
	09	E020073-00	SPRING, OIL FILTER SCREEN		1	
	10	E020071-00	CAP, OIL FILTER		1	
	11	A040021-00	O-RING	S31, 30.7X3.5	1	
	12	E020179-00	INDICATOR,GEAR SHIFT		1	
	13	A040012-00	O-RING	P21, 20.8X2.4	1	
	14	A050035-41	SCREW, PAN HEAD	M5X14L	2	
	15	E060021-00	BOLT, SHIFT LOCK		1	
	16	A110001-00	SPRING,COMPRESSION	8X25L	1	
	17	A150001-00	BALL,BEARING	9.525	1	
	18	A080052-00	WASHER DRAIN PLUG	12.2X 20X2t	1	
	19	A050071-41	BOLT,DRAIN PLUG	M12X1.25	1	
	20	E130090-00	GASKET, L. COVER		1	
	21	E130087-00	GASKET, R. COVER		1	
	22	E020145-00	COVER, BREATHER		1	
	23	A050069-41	BOLT, FLANGE	M6X1.0X40L	5	
	24	A050122-41	BOLT, FLANGE	M6X1.0X30L	10	
	25	A050181-41	SCREW, PAN HEAD	M5X0.8X12L	4	
	26	A050120-41	BOLT, FLANGE	M6X1.0X20L	2	
	27	E060035-00	SPEEDOMETER CONNECTOR		1	
	28	E130065-41	CONNECT,BREATHER HOSE	13	1	

D2017-032A

CRANKCASE



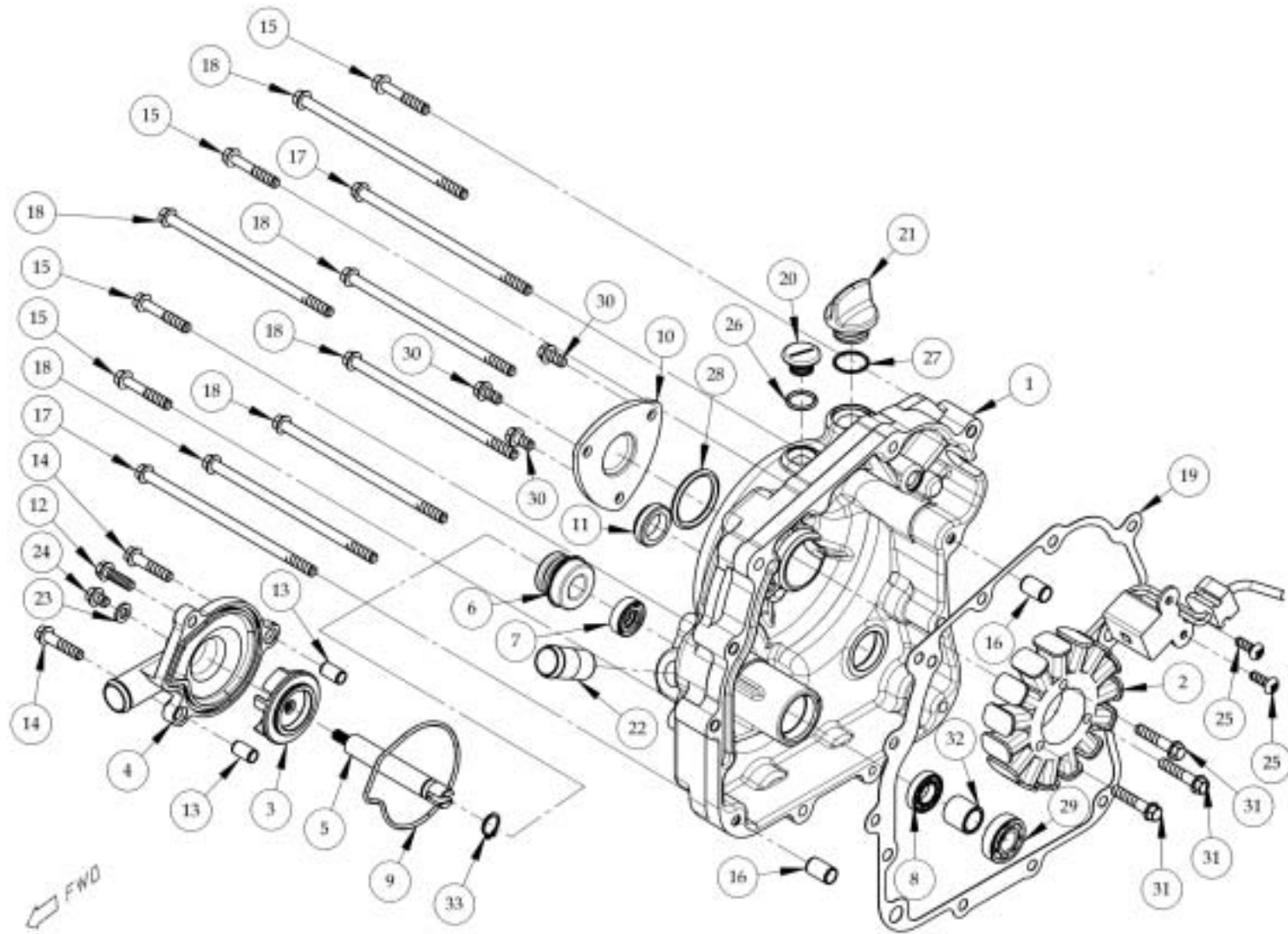
D2017-031A

CRANKCASE

Model	Item	Part no	Description	Specification	Qty	Note
	29	E130066-00	BREATHER HOSE	10X 14.5	1	
	30	E130054-00	CLIP,TUBE	14	1	
	31	E130047-00	CHAIN TENSIONER GUDE		1	
	32	E130093-00	PIVOT, CAM CHAIN TENSIONER		1	
	33	A010011-00	BEARING, RADIAL BALL	6204, 20X 47X14t	2	
	34	E020184-44	BIND RING		1	
	35	A070009-00	DOWEL PIN	10X14L	4	
	36	E130105-00	CVT TUYERE		1	
	37	E130107-00	WOVEN WIRE MESH		1	
	38	A030024-00	OIL SEAL	TC25X38X7	1	
	39	E130092-41	OIL SEPARATOR		1	
	40	A050129-41	BOLT, FLANGE	M6X1.0X12L	2	
	41	E130103-00	OIL PUMP ASSY		1	
	42	E130071-00	SPROCKET, OIL PUMP DRIVEN	25T	1	
	43	A100015-43	CIRCLIP,C TYPE	10	1	
	44	E130121-43	BIND RING		1	
	45	A150004-00	STEEL BALL	6.5	1	
	46	A080089-00	WASHER DRAIN PLUG	14.2X 21X1.0t	1	
	47	A050070-41	BOLT, FLANGE	M6X1.0X50L	1	
	48	A010050-00	BEARING, RADIAL BALL	6304, 52X 20X15t	1	
	49	E130024-00	BUSH,CRANKSHAFT		1	
	50	E130072-00	BUSH,CRANKSHAFT R.		1	
	51	A030028-00	OIL SEAL	TC27X42X7t	1	
	52	A080099-00	SPRING WASHER	10.2X 20X0.3t	1	
	53	A030028-00	OIL PUMP ASSY' & SPROCKET		1	

D2017-033A

LEFT CRANKCASE COVER



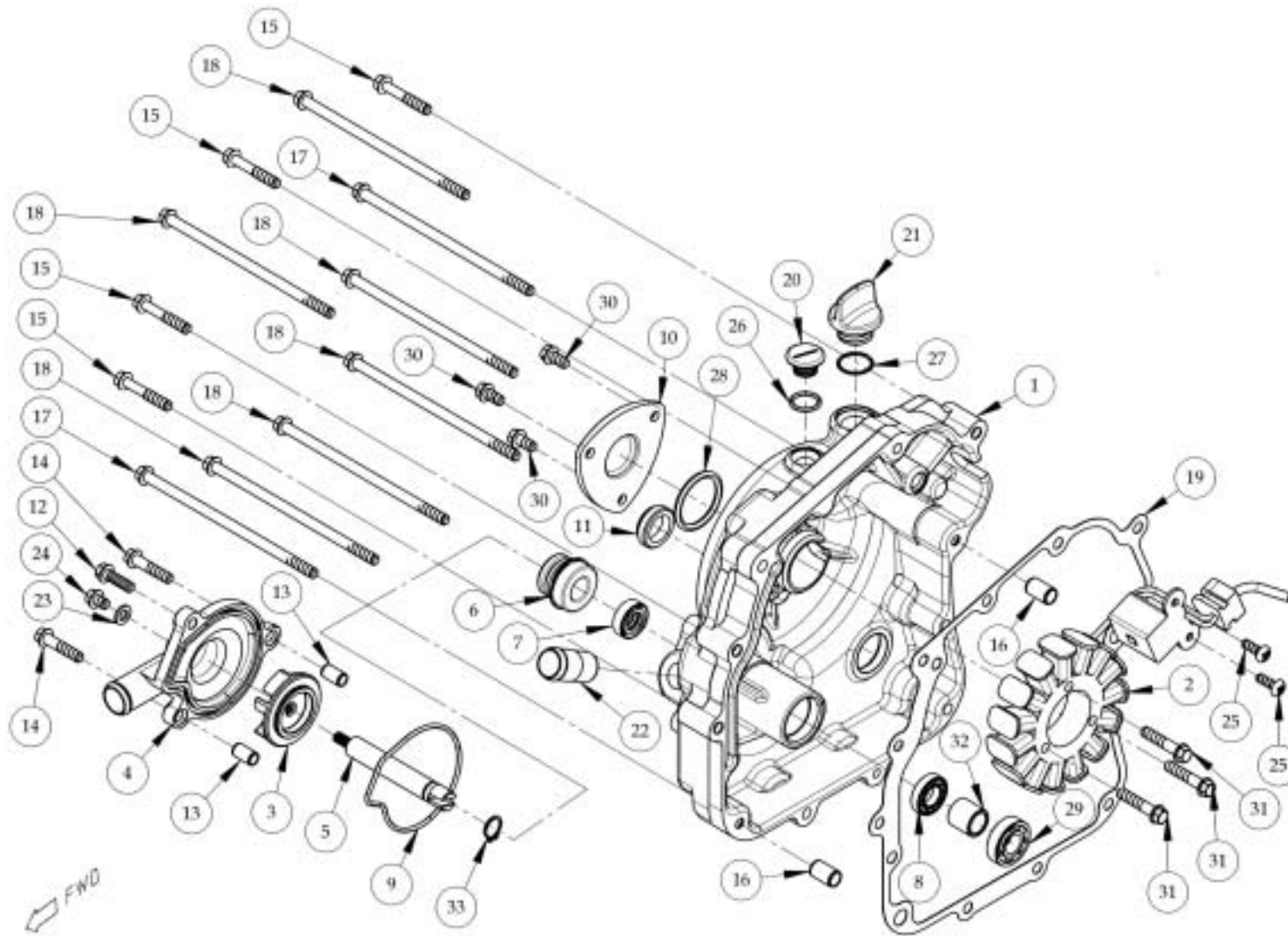
D2017-041A

LEFT CRANKCASE COVER

Model	Item	Part no	Description	Specification	Qty	Note
	01	E130004-48	COVER, R. CRANKCASE COMP		1	
	02	E130017-02	STATOR COMP		1	
	03	E130073-00	IMPELLER		1	
	04	E130068-48	COVER,VANE PUMP		1	
	05	E130074-00	SHAFT,VANE PUMP		1	
	06	A030032-00	MACHINERY OIL SEAL	EH790	1	
	07	A030027-00	OIL SEAL	TC12	1	
	08	A010008-00	BEARING, RADIAL BALL	6901, 12x 24x6t	1	
	09	E130084-00	SEAL,VANE PUMP		1	
	10	E130005-48	DECORATION COVER		1	
	11	E130052-00	OIL LEVEL SCREEN	25	1	
	12	A050120-41	BOLT, FLANGE	M6X1.0X20L	1	
	13	A070018-00	DOWEL PIN	8X14L	2	
	14	A050138-41	BOLT, FLANGE	M6X1.0X28L	2	
	15	A050139-41	BOLT, FLANGE	M6X1.0X35L	4	
	16	A070019-00	DOWEL PIN	10X16L	2	
	17	A050178-41	BOLT, FLANGE	M6X1.0X135L	2	
	18	A050177-41	BOLT, FLANGE	M6X1.0X130L	6	
	19	E130088-00	GASKET, R. CRANKCASE COVER		1	
	20	E130104-00	TIMING SCREEN COVER		1	
	21	E130039-00	OIL FILL CAP	M20X2.5	1	
	22	E130094-41	CONNECTOR,TUBE	19	1	
	23	A080074-00	WASHER DRAIN PLUG	6.5	1	
	24	A050080-41	BOLT, FLANGE	M6X1.0X8L	1	
	25	A050035-41	SCREW, PAN HEAD	M5X14L	2	
	26	A040005-00	O-RING	P14	1	
	27	A040012-00	O-RING	P21, 20.8X2.4	1	
	28	A040026-00	O-RING	P30	1	

D2017-042A

GEAR BOX COVER



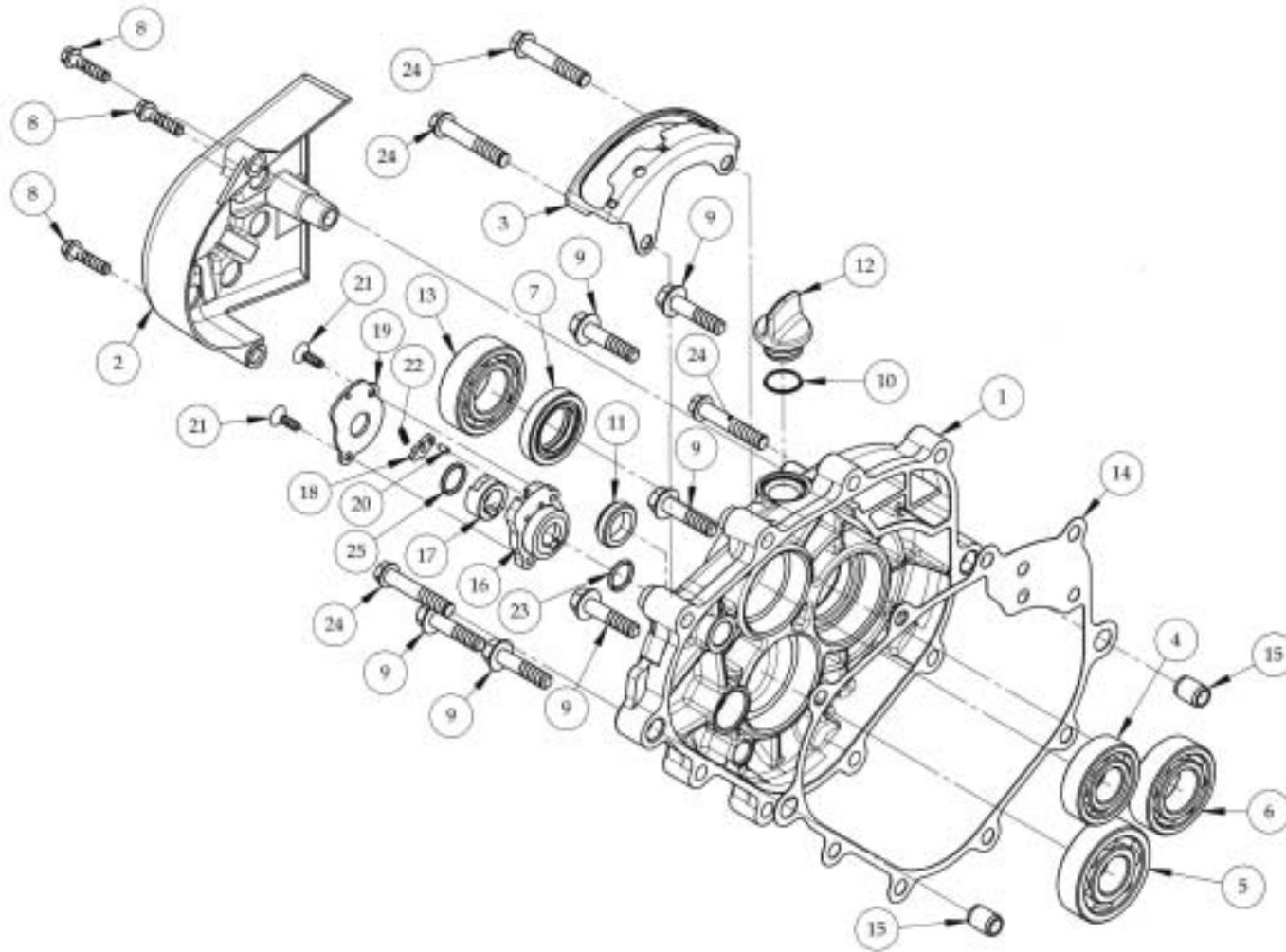
D2017-041A

GEAR BOX COVER

Model	Item	Part no	Description	Specification	Qty	Note
	29	A010033-00	BEARING, RADIAL BALL	6001, 12X 28X8t	1	
	30	A050129-41	BOLT, FLANGE	M6X1.0X12L	3	
	31	A050193-41	BOLT, FLANGE	M5X0.8X30L	3	
	32	A090022-00	COLLAR		1	
	33	A100023-43	RETAINING RINGS C TYPE	12	1	

D2017-043A

GEAR BOX COVER



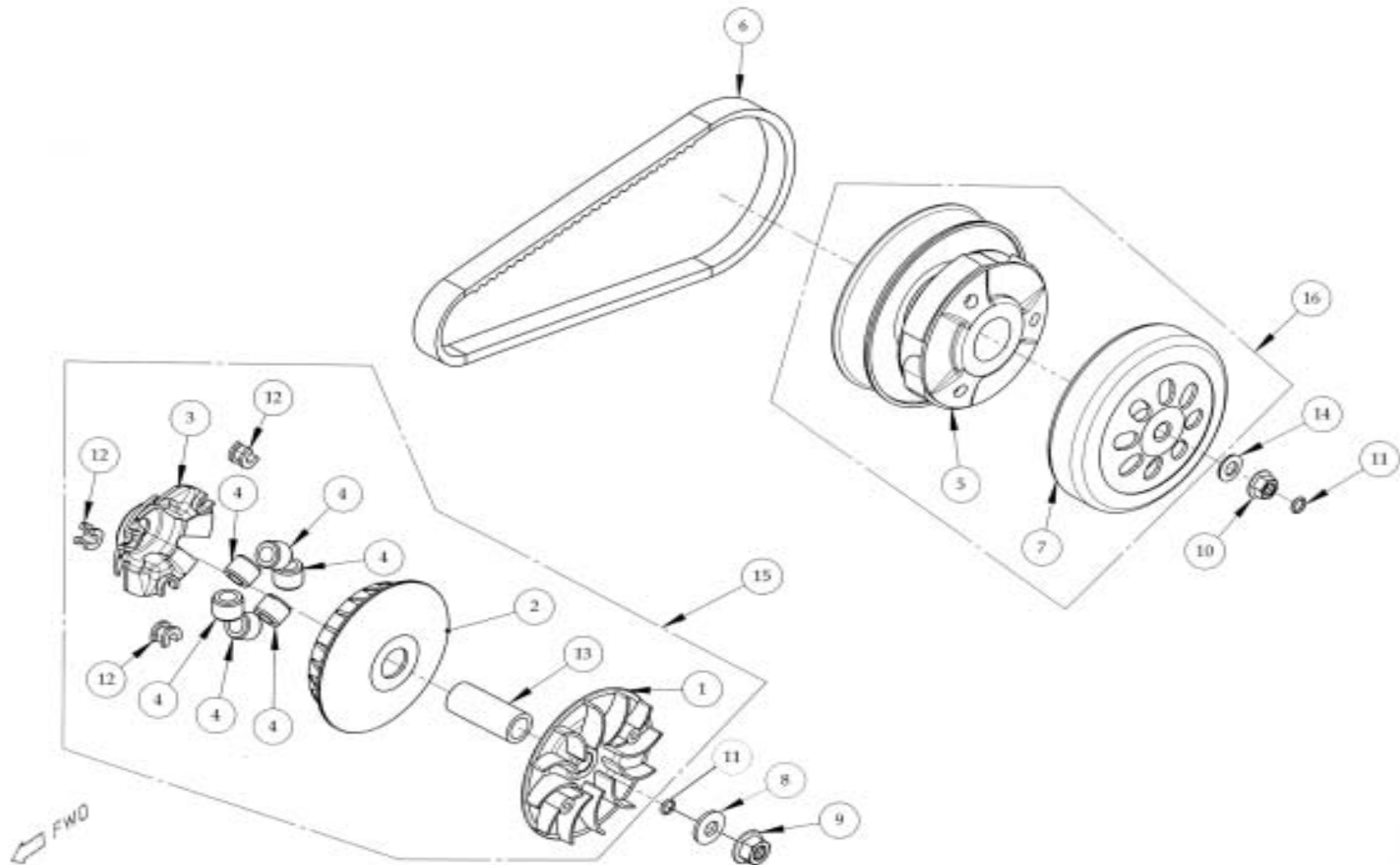
D2017-051A

GEAR BOX COVER

Model	Item	Part no	Description	Specification	Qty	Note
	01	E130022-00	COVER,GEAR		1	
	02	E130056-00	SPROCKET COVER		1	
	03	E130055-00	INDICATOR , GEAR SHIFT		1	
	04	A010011-00	BEARING, RADIAL BALL	6204, 20X 47X14t	1	
	05	A010046-00	BEARING, RADIAL BALL	63/22, 22X 56X16t	1	
	06	A010045-00	BEARING, RADIAL BALL	6205, 25X 52X15t	1	
	07	A030013-00	OIL SEAL	TC25X42X8	1	
	08	A050121-41	BOLT, FLANGE	M6X1.0X25L	3	
	09	A050179-41	BOLT, FLANGE	M8X1.25X35L	6	
	10	A040012-00	O-RING	P21, 20.8X2.4	1	
	11	E130052-00	OIL LEVEL SCREEN	25	1	
	12	E130039-00	OIL FILL CAP	M20X2.5	1	
	13	A010045-04	BEARING, RADIAL BALL	6205LLU, 25X 52X15t	1	
	14	E130040-00	GASKET,GEAR COVER		1	
	15	A070008-00	DOWEL PIN	12X16L	2	
	16	E130060-00	REVERS SWITCH DEVICE		1	
	17	E130061-00	RATCH		1	
	18	E130062-00	STOPPER		1	
	19	E130063-00	COVER		1	
	20	A070030-00	PIN	3X6L	1	
	21	A050175-41	MACHINE SCREW	M4X12L	2	
	22	A110032-41	SPRING,COMPRESSION	3X 0.35X10L	1	
	23	A040005-00	O-RING	P14	1	
	24	A050210-41	BOLT, FLANGE	M8X1.25X45L	4	
	25	A040024-00	O-RING	S14	1	

D2017-052A

C.V.T.



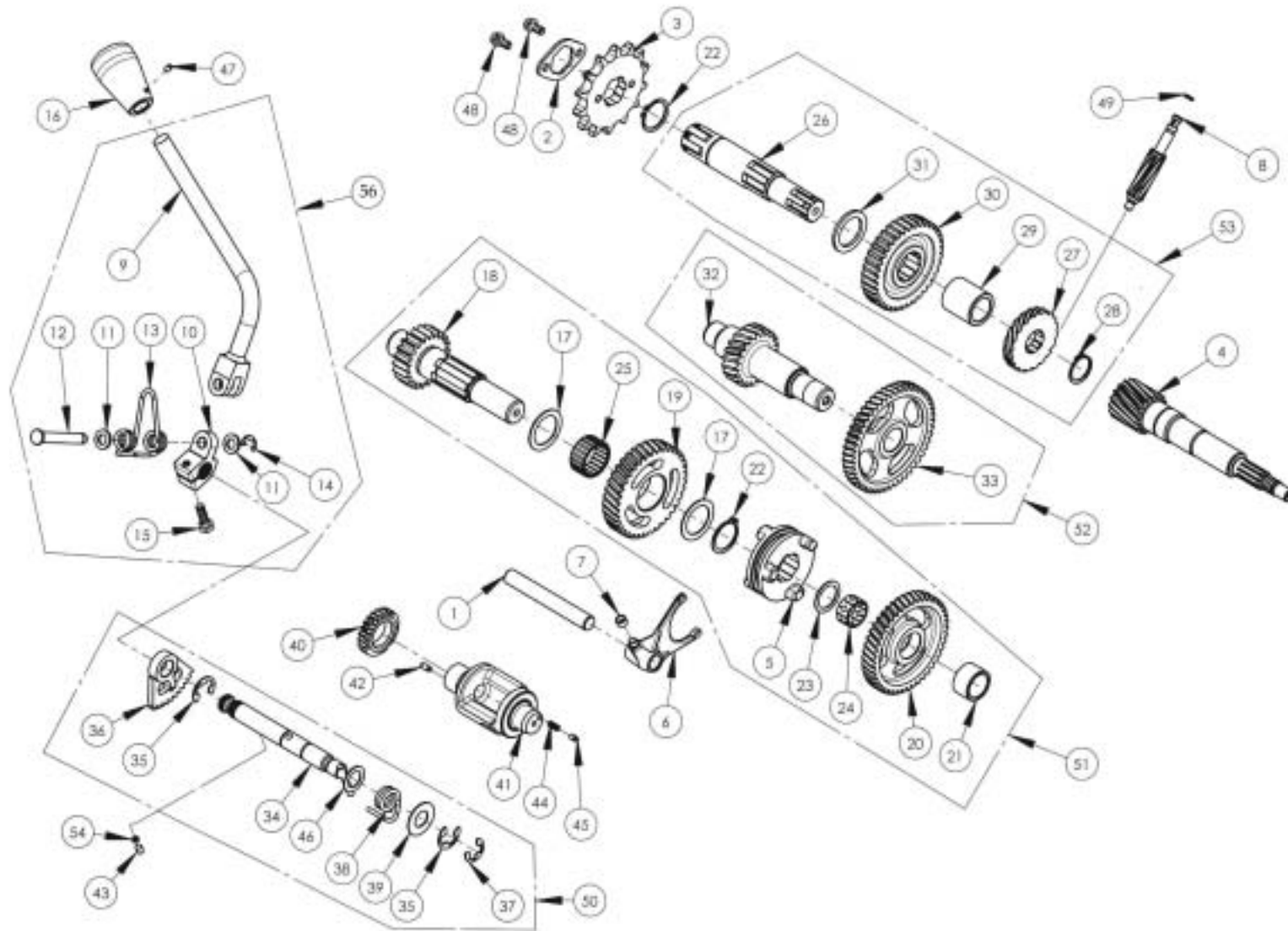
D2017-061A

C.V.T.

Model	Item	Part no	Description	Specification	Qty	Note
	01	E130115-00	FACE, DRIVEN		1	
	02	E130116-00	MOVABLE DRIVE FACE COMP		1	
	03	E130112-00	RAMP PLATE		1	
	04	E130114-00	ROLLER SET, WEIGHT	20g	6	
	05	E130117-00	MOVABLE DRIVEN FACE COMP		1	
	06	A170010-00	DRIVE BELT	893 24 30	1	
	07	E130118-00	OUTER, CLUTCH		1	
	08	A080094-00	WASHER, CONICAL SPRING	17X 30X3.5t	1	
	09	A060056-41	NUT, FLANGE	M14X1.25X13.5t	1	
	10	A060038-42	NUT, FLANGE	M12X1.25	1	
	11	A040028-00	O-RING	2.4X 9.8	2	
	12	E130113-00	SLIDE PIECE		3	
	13	A090021-00	DRIVE FACE BOSS		1	
	14	A080079-00	WASHER, CONICAL SPRING	12.2X 24X2.6t	1	
	15	E130111-00	PRIMARY SLIDING SHEAVE COMP.		1	
	16	E130110-00	DRIVEN PULLEY ASSY'		1	

D2017-062A

TRANSMISSION



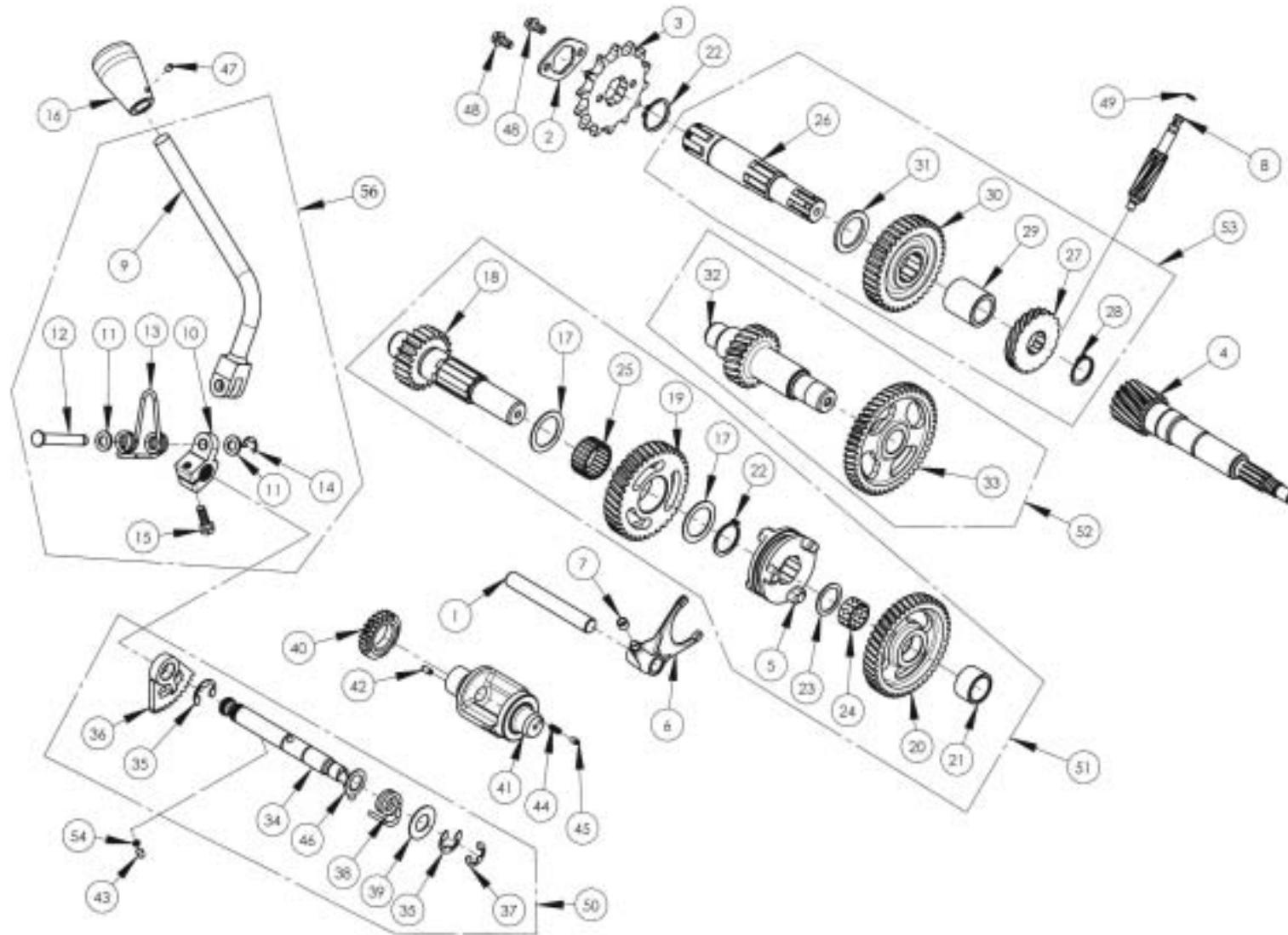
D2017-071A

TRANMISSION

Model	Item	Part no	Description	Specification	Qty	Note
	01	E060006-00	FORK SHAFT		1	
	02	A170006-00	HOLDER,SPROCKET DRIVE		1	
	03	A170004-00	SPROCKET, DRIVE	14T	1	
	04	E130033-00	SHAFT,PRIMARY DRIVE	17T	1	
	05	E130026-00	CLUTCH GEAR R.D.		1	
	06	E120009-00	FORK		1	
	07	E130096-00	FORK RING		1	
	08	E060070-00	SPEEDOMETER SHAFT	11T	1	
	09	E130137-00	LEVER , GEAR SHIFT		1	
	10	E060042-00	CONNECTER , GEAR SHIFT		1	
	11	A080025-41	SPACER	8.2X 15X2t	2	
	12	E130119-00	SHAFT		1	
	13	A110038-41	SPRING , GEAR SHIFT		1	
	14	A100012-43	RETAINING RINGS E TYPE	7	1	
	15	A050051-41	COLLAR	M6X1.0X25L	1	
	16	E060028-00	CONICAL KNOBS		1	
	17	A090013-00	WASHER , PLATE	25.2X 35X1t	2	
	18	E130028-00	COUNTER SHAFT	22T	1	
	19	E130027-00	REVERSE GEAR,COUNTER SHAFT	37T	1	
	20	E130032-00	GEAR,COUNTER SHAFT	45T	1	
	21	A090017-00	COLLAR	20.2X 26X16L	1	
	22	A100013-43	RETAINING RINGS C TYPE	25	3	
	23	A080004-00	WASHER , PLATE	20.2X 27X1t	1	
	24	A020003-01	BEARING,COLLAR	20X 23X12L	1	
	25	A010044-00	BEARING , NEEDLE ROLLER	K25X30X17H	1	
	26	E130035-00	SHAFT,OUTPUT		1	
	27	E060069-00	GEAR, SPEEDOMETER DRIVE	18T	1	
	28	A100010-00	RETAINING RINGS C TYPE	20	1	

D2017-072A

TRANSMISSION



D2017-071A

TRANSMISSION

Model	Item	Part no	Description	Specification	Qty	Note
	29	A090008-00	COLLAR	20.2X 28X30.7L	1	
	30	E130036-00	FINAL GEAR	37T	1	
	31	A090015-00	SPACER	25.2X 35X2.5t	1	
	32	E130030-00	REVERS SHAFT	21T	1	
	33	E130031-00	GEAR,REVERSE 1ND	49T	1	
	34	E130064-00	SHAFT, GEARSHIFT		1	
	35	A100020-00	RETAINING RINGS E TYPE	12	2	
	36	E060127-00	GEAR, GEARSHIFT		1	
	37	A100002-43	RETAINING RINGS E TYPE	10	1	
	38	A110030-42	SPRING , GEAR SHIFT		1	
	39	A080081-00	WASHER , PLATE	14X 28X1.0t	1	
	40	E130038-00	GEAR , CAMSHAFT		1	
	41	E130057-00	CAMSHAFT	D.N.R	1	
	42	E060024-00	PIN	6	1	
	43	A070036-00	PIN	5X7L	1	
	44	A110002-00	SPRING,COMPRESSION	WF04-10	1	
	45	E060023-00	SWITCH,INDICATOR		1	
	46	A080005-41	WASHER , PLATE	14.2X 22X1.0t	1	
	47	A050072-41	SCREW , HEXAGON SOCKET	M4X5L	1	
	48	A050129-41	BOLT, FLANGE	M6X1.0X12L	2	
	49	A040011-00	O-RING	P6, 6X 1.9	1	
	50	E130034-00	GEARSHTFT SHAFT ASSY'		1	
	51	E130089-00	COUNTERSHAFT ASSY'		1	
	52	E130029-00	REVERSE SHAFT ASSY'		1	
	53	E130053-00	MAIN SHAFT ASSY'		1	
	54	A040032.00	O-RING	S3, 2.5X 1.5X 5.5	1	
	55	E130109-00	CAMSHIFT ASSY'		1	
	56	E130122-00	GEARSHIFT LEVER ASSY'		1	

D2017-073A