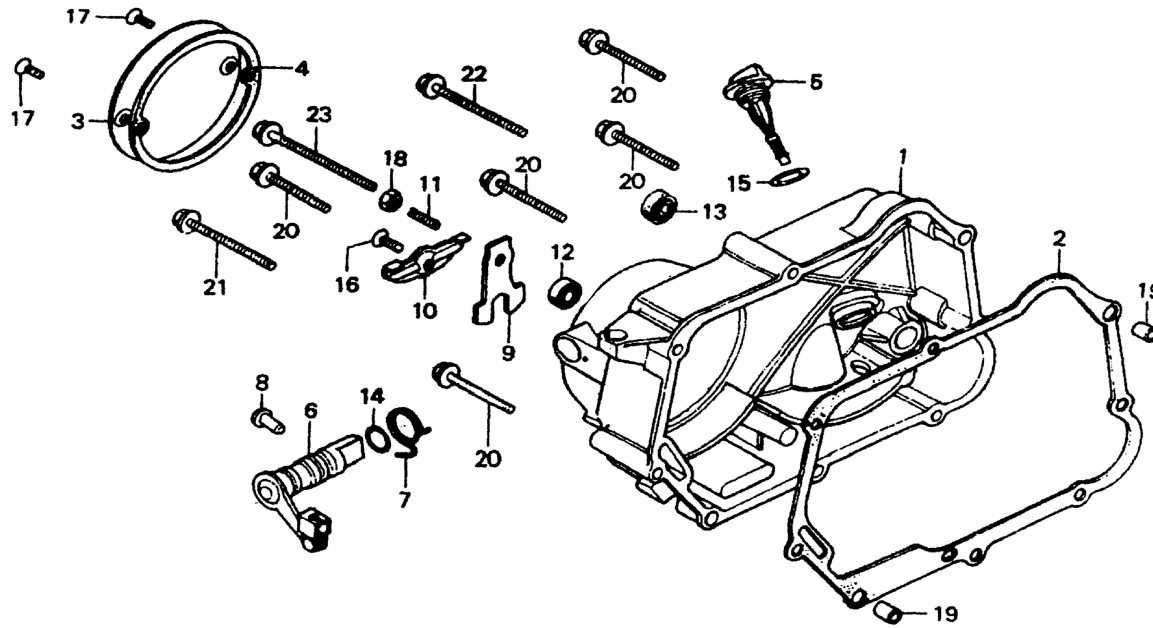


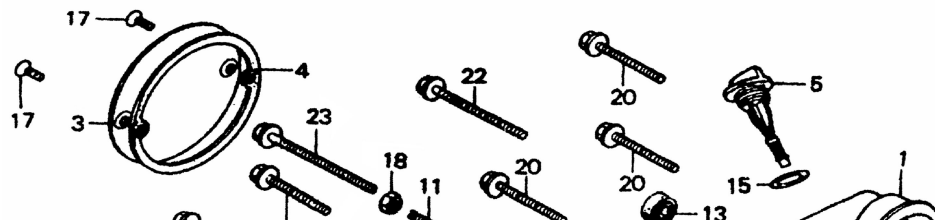
E-1 □□□□□

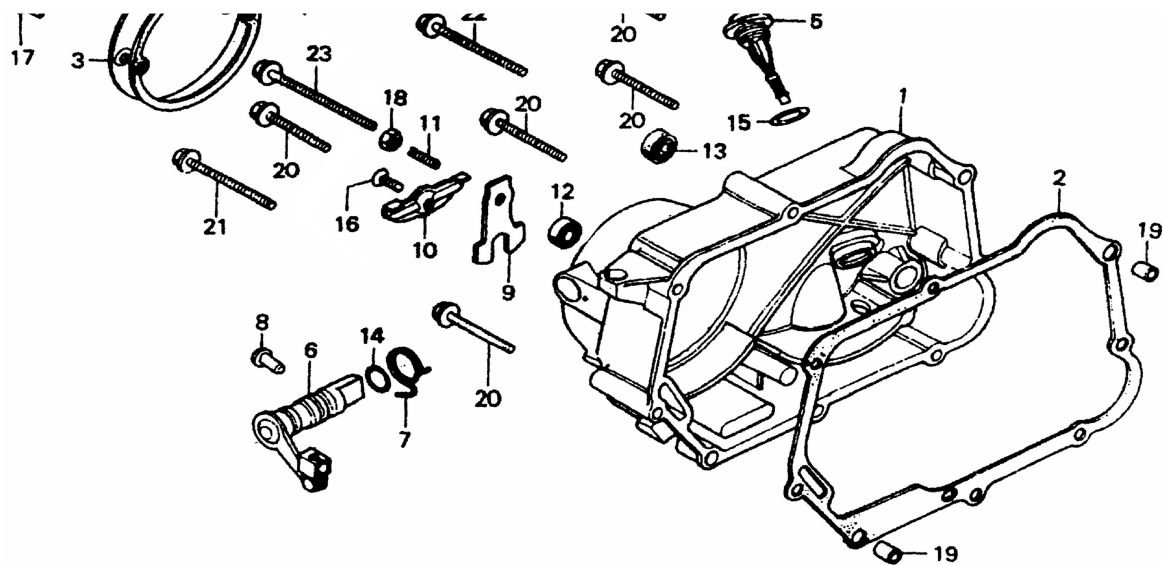
Crank case Cover.R



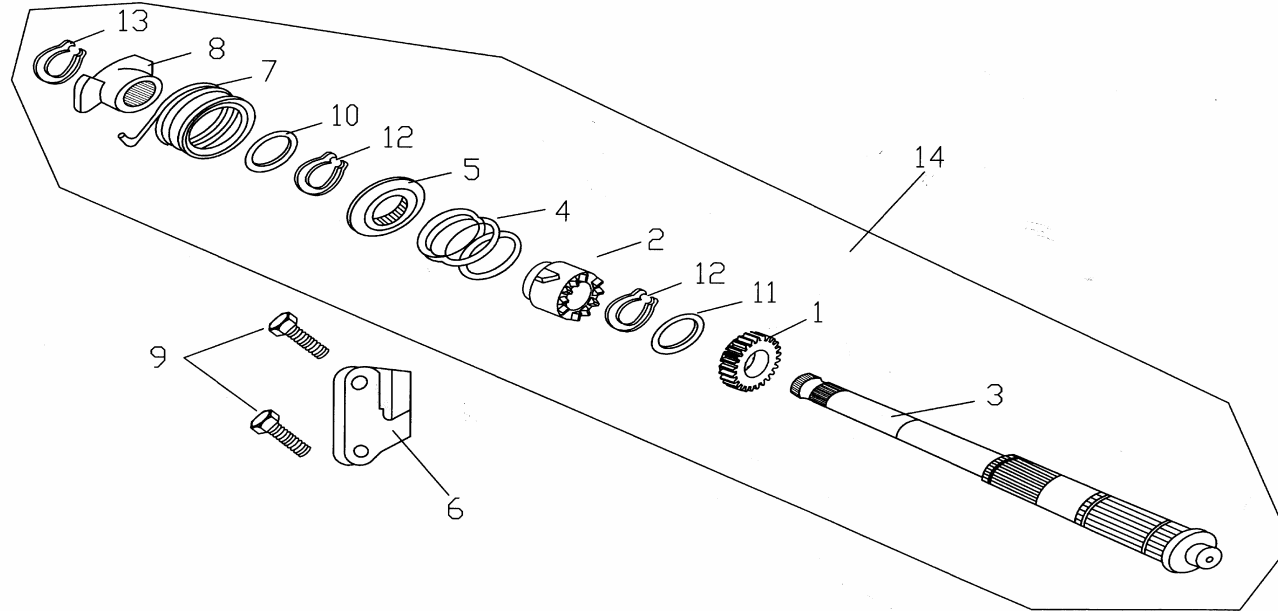
| Ref. No. | Old Part No.    | New Part No.    | □□□□        | Description                  | Q'TY | REMARKS |
|----------|-----------------|-----------------|-------------|------------------------------|------|---------|
| 1        | 11300-FYDF-01A  | 11300-FYBF4-00B | □□□□□□□□    | Right crankcase cover        | 1    |         |
| 2        | 11393-FYDF-000  | 11393-FYBF4-000 | □□□□□□□□    | Gasket.Right crankcase cover | 1    |         |
| 3        | 28125-FYDF-000  | 28125-FYBF4-000 | □□□□□□      | Adjust Cover.Clutch          | 1    |         |
| 4        | 11447-FYDF-000  | 11447-FYBF4-000 | □□□□□□□□    | Gasket.Adjust Cover.Clutch   | 1    |         |
| 5        | 15115-FYDF-000  | 15155-FYBF4-000 | □□□□        | gauge,oil lever              | 1    |         |
| 6        | 21410-FYDF-000  | 21410-FYBF4-000 | □□□□□       | Clutch lifter                | 1    |         |
| 7        | 21416-FYDF-000  | 21416-FYBF4-000 | □□□□□□□     | Spring, clutch lifter        | 1    |         |
| 8        | 21411-FYDF-000  | 21411-FYBF4-000 | □□□□□□□□    | Dowel Pin                    | 1    |         |
| 9        | 21421-FYDF-000  | 21421-FYBF4-000 | □□□□□       | Top jaw, clutch              | 1    |         |
| 10       | 21422-FYDF-000  | 21422-FYBF4-000 | □□□□□       | Presure Plate.Clutch         | 1    |         |
| 11       | 21447-FYDF-000  | 21447-FYBF4-000 | □□□□        | Adjusting Screw              | 1    |         |
| 12       | 90801-12021-004 | 90801-12021-004 | □□          | Oil Seal                     | 1    |         |
| 13       | 90801-13024-005 | 90801-13024-005 | □□          | Oil Seal                     | 1    |         |
| 14       | 90701-14002-000 | 90701-14002-000 | ○□□□□14*2   | O-Gasket 14*2                | 1    |         |
| 15       | 90701-18003-000 | 90701-18003-000 | ○□□□□18*3.6 | O-Gasket 18*3.6              | 1    |         |

E-1 □□□□□

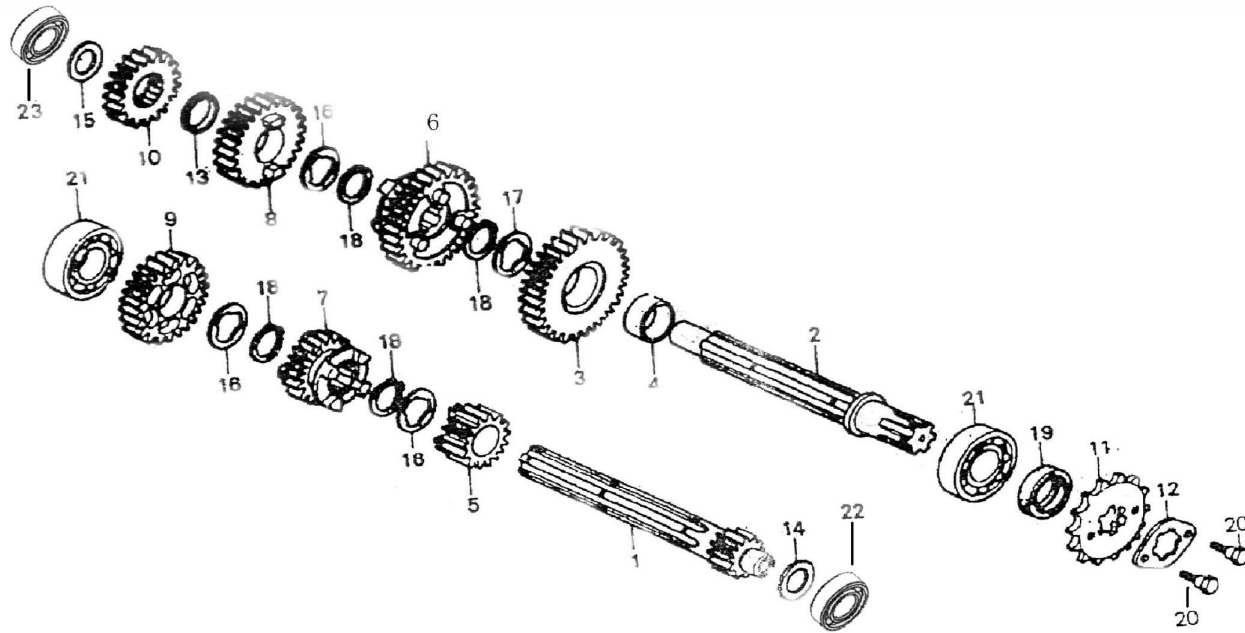




| Ref. No. | Old Part No.         | New Part No.         | □□□□   | Description                      | Q'TY | REMARKS |
|----------|----------------------|----------------------|--------|----------------------------------|------|---------|
| 16       | GB/T819.2-97-06016-B | GB/T819.2-97-06016-B | □□□□□□ | M6*16<br>Crosshead screw M6×16   | 1    |         |
| 17       | GB/T820-2000-05012-B | GB/T820-2000-05012-B | □□□□□□ | M5*12<br>Cross round Screw M5*12 | 2    |         |
| 18       | 21447-FYDF-100       | 21447-FYBF4-000      | □□□□   | Adjusting Nut                    | 1    |         |
| 19       | 90411-08012-000      | 90411-08012-000      | □□□    | 8*12<br>Dowel pin 8×12           | 2    |         |
| 20       | GB/T16674-96-06040-L | GB/T16674-96-06040-L | □□     | M6*40<br>Bolt M6*40              | 5    |         |
| 21       | GB/T16674-96-06055-L | GB/T16674-96-06055-L | □□     | M6*55<br>Bolt M6*55              | 1    |         |
| 22       | GB/T16674-96-06065-L | GB/T16674-96-06065-L | □□     | M6*65<br>Bolt M6*65              | 1    |         |
| 23       | GB/T16674-96-06100-L | GB/T16674-96-06100-L | □□     | M6*100<br>Bolt M6*100            | 1    |         |

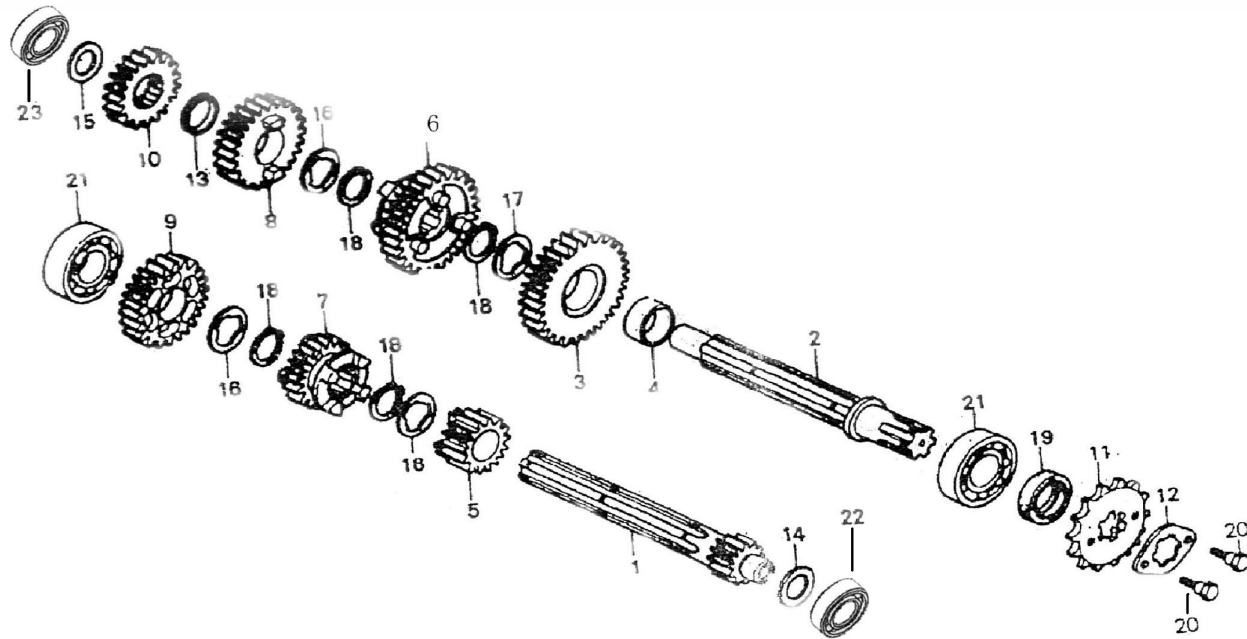


| Ref. No. | Old Part No.          | New Part No.          | □□□□        | Description                   | Q'TY | REMARKS |
|----------|-----------------------|-----------------------|-------------|-------------------------------|------|---------|
| 1        | 28114-FYDF-000        | 28114-FYBF4-000       | □□□□□□      | Driven Gear                   | 1    |         |
| 2        | 28119-FYDF-000        | 28119-FYBF4-000       | □□□□        | Starting Shaft                | 1    |         |
| 3        | 28112-FYDF-000        | 28112-FYBF4-000       | □□□         | Starting Shaft                | 1    |         |
| 4        | 28167-FYDF-000        | 28167-FYBF4-000       | □□□□        | Spring,Ratchet Wheel          | 1    |         |
| 5        | 28149-FYDF-000        | 28149-FYBF4-000       | □□□□□       | Spring Socket,Ratchet Wheel   | 1    |         |
| 6        | 28146-FYDF-000        | 28146-FYBF4-000       | □□□□□       | Guide board, ratchet          | 1    |         |
| 7        | 28116-FYDF-000        | 28116-FYBF4-000       | □□□□□□□     | Return Spring ,Starting Shaft | 1    |         |
| 8        | 28115-FYDF-000        | 28115-FYBF4-000       | □□□□□□      | Spring Socket,Starting Shaft  | 1    |         |
| 9        | GB/T5783-2000-06020-B | GB/T5783-2000-06020-B | □□□□M6*20   | Bolt M6*20                    | 2    |         |
| 10       | 28103-17023-1000K     | 28103-17023-1000K     | □□□□17*23*1 | Gasket 17*23*1                | 1    |         |
| 11       | 28103-20027-1000K     | 28103-20027-1000K     | □□□□20*1*27 | Gasket 20*1*27                | 1    |         |
| 12       | GB894.1-20001-1000K   | GB894.1-20001-1000K   | □□□□20*1    | Snap Ring 20*1                | 2    |         |
| 13       | GB894.1-86-17000      | GB894.1-86-17000      | □□□□□□17    | Spring ring 17                | 1    |         |
| 14       | 28100-FYDF-000        | 28100-FYBF4-000       | □□□□□       | Starting Shaft Assy           | 1    |         |



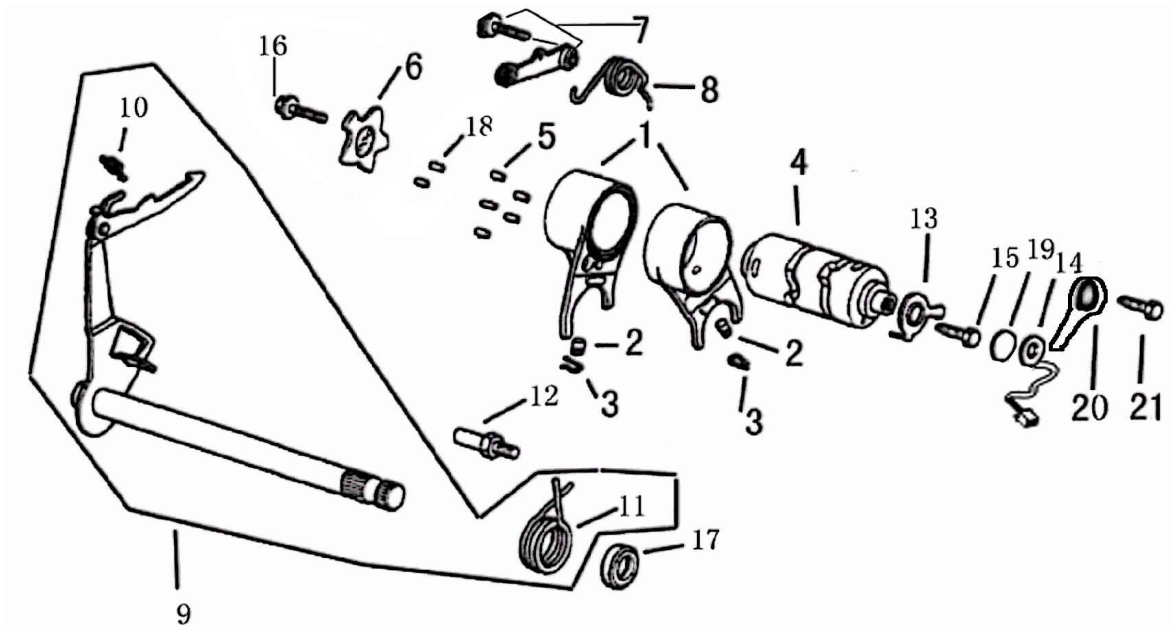
| Ref. No. | Old Part No.      | New Part No.      | □□□□   | Description                    | Q'TY | REMARKS |
|----------|-------------------|-------------------|--------|--------------------------------|------|---------|
| 1        | 23501-FYBF3-000   | 23501-FYBF4-000   | □□□□   | Main Shaft,Transmission        | 1    |         |
| 2        | 23601-FYBF3-000   | 23601-FYBF4-000   | □□□□   | Countershaft,Transmission      | 1    |         |
| 3        | 23601-FYBF3-001   | 23601-FYBF4-001   | 1□□□□□ | Driven Gear,First Gear         | 1    |         |
| 4        | 23614-FYBF3-000   | 23614-FYBF4-000   | □□□    | Bush,Driven Gear of First Gear | 1    |         |
| 5        | 23501-FYBF3-002   | 23501-FYBF4-002   | 2□□□□□ | Drive Gear,Second Gear         | 1    |         |
| 6        | 23601-FYBF3-002   | 23601-FYBF4-002   | 2□□□□□ | Driven Gear,Second Gear        | 1    |         |
| 7        | 23501-FYBF3-003   | 23501-FYBF4-003   | 3□□□□□ | Drive Gear,Third Gear          | 1    |         |
| 8        | 23601-FYBF3-003   | 23601-FYBF4-003   | 3□□□□□ | Driven Gear,Third Gear         | 1    |         |
| 9        | 23501-FYBF3-004   | 23501-FYBF4-004   | 4□□□□□ | Drive Gear,Fourth Gear         | 1    |         |
| 10       | 23601-FYBF3-004   | 23601-FYBF4-004   | 4□□□□□ | Driven Gear,Fourth Gear        | 1    |         |
| 11       | 23682-FYBF1-000   | 23682-FYBF4-000   | □□□□   | Main Drive Sprocket Wheel      | 1    |         |
| 12       | 23681-FYBF1-000   | 23681-FYBF4-000   | □□□□   | Pressure Plate.Sprocket        | 1    |         |
| 13       | 23602-FYBF3-001   | 23602-FYBF4-001   | □□     | Washer                         | 1    |         |
| 14       | 23602-FYBF3-002   | 23602-FYBF4-002   | □□     | Washer                         | 1    |         |
| 15       | 23602-FYBF3-003   | 23602-FYBF4-003   | □□     | Washer                         | 1    |         |
| 16       | 23507-17023-1000k | 23507-17023-1000k | □□□□   | spline washer                  | 3    |         |

E-3 □□□



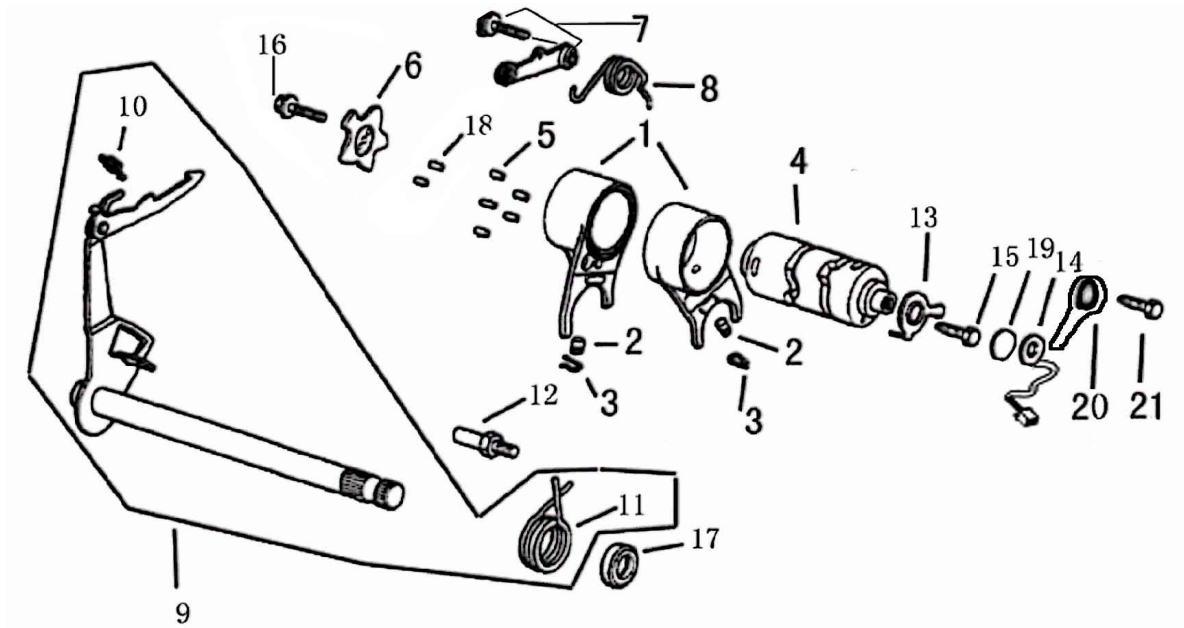
| Ref. No. | Old Part No.          | New Part No.          | □□□□     | Description   | Q'TY | REMARKS |
|----------|-----------------------|-----------------------|----------|---------------|------|---------|
| 17       | 23507-17023-1000k     | 23507-17023-1000k     | □□□□     | spline washer | 1    |         |
| 18       | GB894.1-86-17000      | GB894.1-86-17000      | □□       | Check Ring    | 4    |         |
| 19       | 90801-17029-005       | 90801-17029-005       | □□       | Oil Seal      | 1    |         |
| 20       | GB/T5783-2000-06008-C | GB/T5783-2000-06008-C | □□□□M6*8 | Hex Bolt M6*8 | 2    |         |
| 21       | GB/T276-94-6203       | GB/T276-94-6203       | □□6203   | Bearing 6203  | 2    |         |
| 22       |                       | GB/T276-94-6001       | □□6001   | Bearing 6001  | 1    |         |
| 23       |                       | GB/T276-94-6201       | □□6201   | Bearing 6201  | 1    |         |

E-4 □□□□

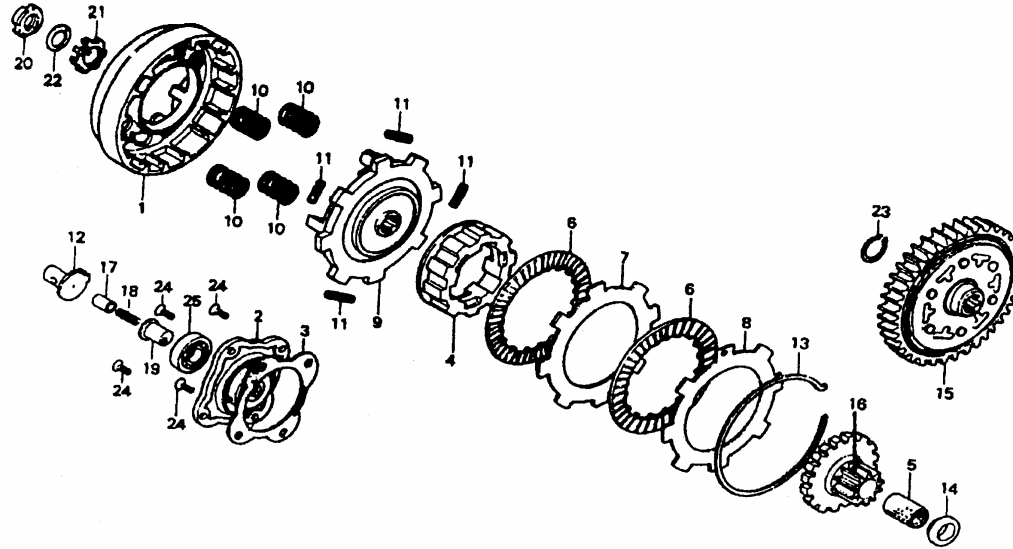


| Ref. No. | Old Part No.    | New Part No.      | □□□□         | Description                     | Q'TY | REMARKS |
|----------|-----------------|-------------------|--------------|---------------------------------|------|---------|
| 1        | 23740-FYBF3-000 | 23740-FYBF4-000   | □□□□         | Fork,Gear                       | 2    |         |
| 2        | 23740-FYBF3-100 | 23745-FYBF4-000   | □□□          | Guide Pin,Fork                  | 2    |         |
| 3        | 23740-FYBF3-200 | 90564-FYBF4-000   | □□□          | Spring Clip                     | 2    |         |
| 4        | 23701-FYBF3-000 | 23701-FYBF4-000   | □□□          | Drum,Shift Gears                | 1    |         |
| 5        | 23746-FYBF3-000 | 23746-FYBF4-000   | □□□□□        | Pin,Change Gear                 | 5    |         |
| 6        | 23711-FYBF3-000 | 23711-FYBF4-000   | □□□□         | Camshaft,Change Gear            | 1    |         |
| 7        | 23730-FYBF3-000 | 23730-FYBF4-000   | □□□□□□□□     | Fixing Plate,Camshaft           | 1    |         |
| 8        | 23731-FYBF3-000 | 23731-FYBF4-000   | □□□□□        | Return Spirng,Fixing Plate      | 1    |         |
| 9        | 23700-FYDF-000  | 23720-FYBF4-000   | □□□□□        | Change Gear Shaft               | 1    |         |
| 10       | 23722-FYDF-000  | 23722-FYBF4-000   | □□           | Pull Sping,Change Gear Arm      | 1    |         |
| 11       | 23716-FYDF-000  | 23716-FYBF4-000   | □□           | Return Spring,Change Gear Shaft | 1    |         |
| 12       | 23723-FYGF-000  | 23723-FYBF4-000   | □□□□□□       | Fixing Bolt,Return Spring       | 1    |         |
| 13       | 31321-FYBF1-000 | 31322-FYBF4-000   | □□□□□□□      | Touch Shim                      | 1    |         |
| 14       |                 | 31314-FYBF4-000   | □□□□□        | Gear indicator                  | 1    |         |
| 15       |                 | 90117-06016-00B   | □□□□□M6*8    | Inner Hex Bolt M6*8             | 1    |         |
| 16       | 23733-FYBF3-100 | GB/T5878-86-06017 | □□□□□□□M6*12 | Fixing Bolt M6*12               | 1    |         |

E-4 □□□□

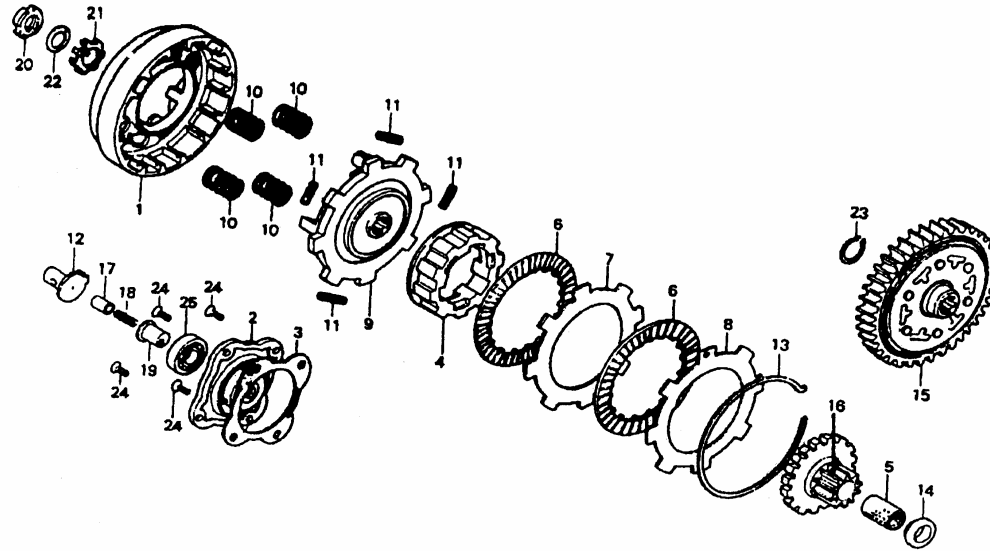


| Ref. No. | Old Part No.    | New Part No.       | □□□□         | Description                   | Q'TY | REMARKS |
|----------|-----------------|--------------------|--------------|-------------------------------|------|---------|
| 17       | 90801-11024-010 | 90801-11024-010    | □□11.6*24*10 | Oil Seal 11.6*24*10           | 1    |         |
| 18       | 23706-FYBF3-000 | 23747-FYBF4-000    | □□□□□3*8.5   | Dowel Pin Screw 3*8.5         | 2    |         |
| 19       | 31321-FYBF1-200 | 31316-FYBF4-000    | □□□          | Gasket                        | 1    |         |
| 20       |                 | 31315-FYBF4-000    | □□□□□□□      | Pressure Plate.Gear indicator | 1    |         |
| 21       |                 | GB/T818-2000-06012 | □□□□□□M6*12  | Cross Pad Screw M6*12         | 1    |         |

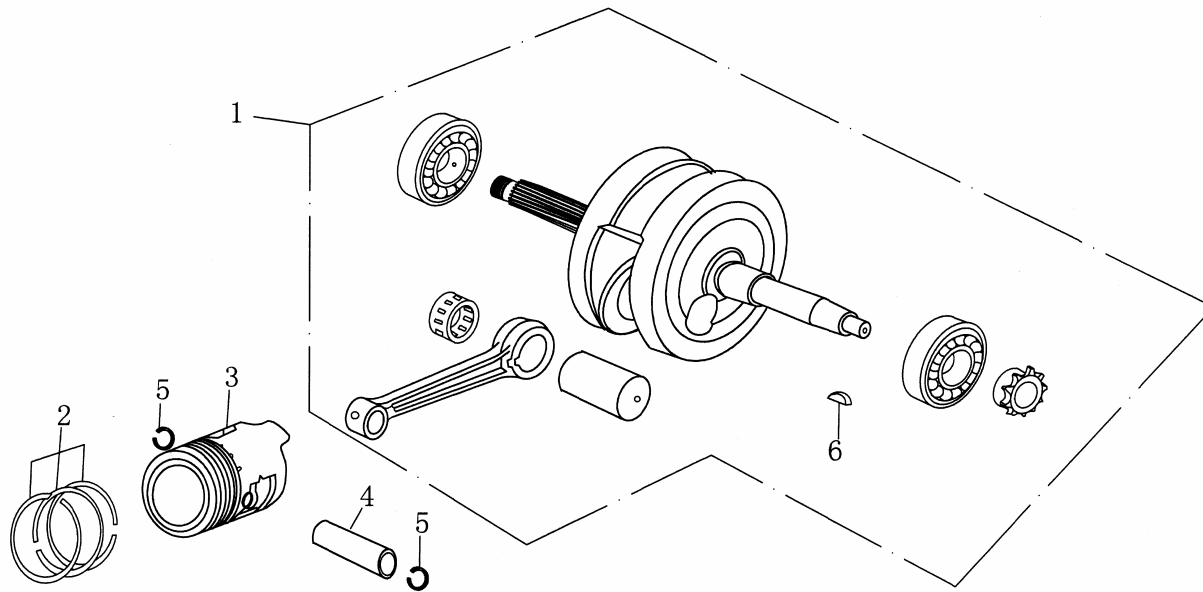


| Ref. No. | Old Part No.   | New Part No.   | □□□□     | Description              | Q'TY | REMARKS |
|----------|----------------|----------------|----------|--------------------------|------|---------|
| 1        | 21111-FYDF-000 | 21111-FYBF-000 | □□□□□    | Outer Cover,Clutch       | 1    |         |
| 2        | 21102-FYDF-000 | 21102-FYBF-000 | □□□□□    | End cover,Clutch         | 1    |         |
| 3        | 21103-FYDF-000 | 21103-FYBF-000 | □□□□□□□□ | Seal,End Cover of Clutch | 1    |         |
| 4        | 21104-FYDF-000 | 22210-FYBF-000 | □□□□□□□  | Wrap,Main Drive Gear     | 1    |         |
| 5        | 21117-FYDF-000 | 22105-FYBF-000 | □□□□□    | Bush.Main Drive Gear     | 1    |         |
| 6        | 21224-FYDF-000 | 21224-FYBF-000 | □□□      | friction plate           | 2    |         |
| 7        | 21218-FYDF-000 | 21218-FYBF-000 | □□□□□    | Lower Plate.Clutch       | 1    |         |
| 8        | 21217-FYDF-000 | 21217-FYBF-000 | □□□□□    | Upper Plate.Clutch       | 1    |         |
| 9        | 21221-FYDF-000 | 21100-FYBF-000 | □□□      | Main Drive Plate         | 1    |         |
| 10       | 21219-FYDF-000 | 21222-FYBF-000 | □□□□□□□□ | Combinate Spring,Clutch  | 4    |         |
| 11       | 21223-FYDF-000 | 21223-FYBF-000 | □□□□□□□  | Damper Spring,Clutch     | 4    |         |
| 12       | 21451-FYDF-000 | 21451-FYBF-000 | □□□□□    | Handspike,Clutch         | 1    |         |
| 13       | 21115-FYDF-000 | 21113-FYBF-000 | □□□□     | Spring Ring              | 1    |         |
| 14       | 21116-FYDF-000 | 21116-FYBF-000 | □□□□□□   | Lower Ferrule,Drive Gear | 1    |         |
| 15       | 22226-FYDF-000 | 21112-FYBF-000 | □□□□     | Driven Gear              | 1    |         |
| 16       | 21227-FYDF-000 | 21227-FYBF-000 | □□□□□□   | Main Drive Gear          | 1    |         |

E-5 □□□

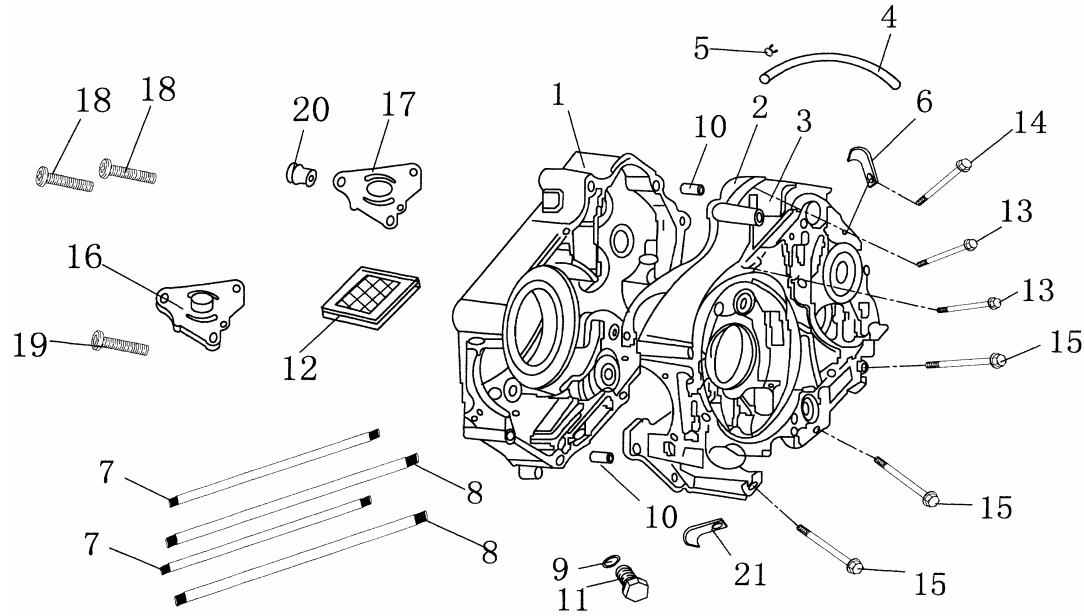


| Ref. No. | Old Part No.         | New Part No.         | □□□□       | Description           | QTY | REMARKS |
|----------|----------------------|----------------------|------------|-----------------------|-----|---------|
| 17       | 21235-FYDF-100       | 21315-FYBF-000       | □□□        | Oil Pipe              | 1   |         |
| 18       | 21234-FYDF-000       | 21234-FYBF-000       | □□□□□□     | Spring.Oil Pipe       | 1   |         |
| 19       | 21235-FYDF-000       | 21235-FYBF-000       | □□□□       | Bush.Oil Pipe         | 1   |         |
| 20       | 90214-14001-000      | 90214-14001-000      | □□□□       | Four Claw Nut M14     | 1   |         |
| 21       | 90308-FYDF-000       | 21114-FYBF-000       | □□□□       | Stop Ring             | 1   |         |
| 22       | 90307-14024-1600k    | 90307-14024-1600k    | □□□□       | Taper Gasket          | 1   |         |
| 23       | GB894.1-86-17000     | GB894.1-86-17000     | □□□□□□17   | Snap Ring 17          | 1   |         |
| 24       | GB/T819.2-97-05008-B | GB/T819.2-97-05008-B | □□□□□□M5*8 | Cross Head Screw M5*8 | 4   |         |
| 25       | GB/T276-94-6000      | GB/T276-94-6000      | □□6000     | Bearing 6000          | 1   |         |



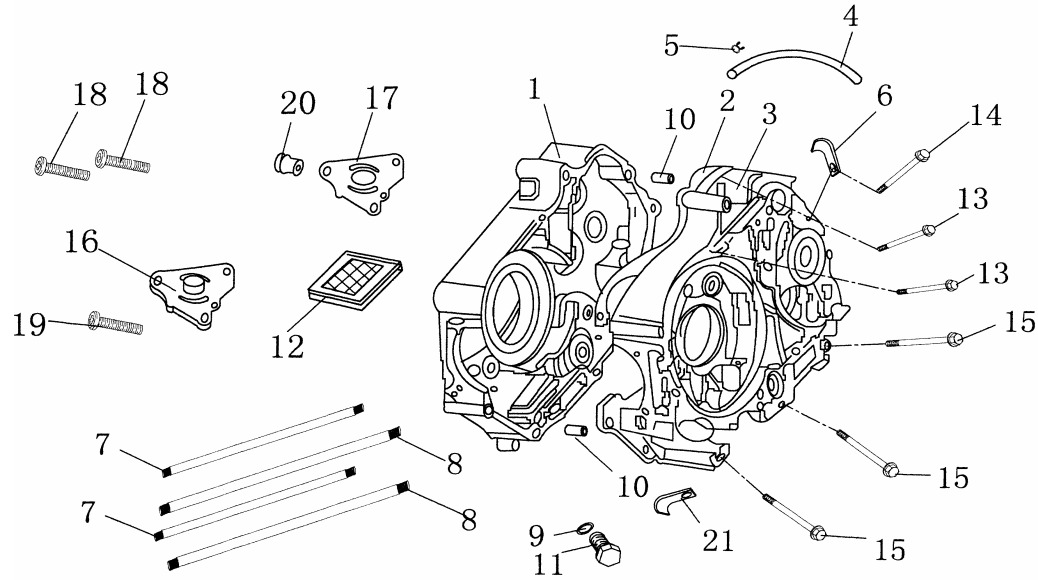
| Ref. No. | Old Part No.    | New Part No.   | □□□□   | Description          | Q'TY | REMARKS |
|----------|-----------------|----------------|--------|----------------------|------|---------|
| 1        | 13200-FYBF1-000 | 13200-FYBF-000 | □□□□□□ | Crank Shaft Assy     | 1    |         |
| 2        | 13120-FYBF1-000 | 13120-FYBF-000 | □□□□□  | Piston Ring          | 1    |         |
| 3        | 13101-FYBF1-000 | 13101-FYBF-000 | □□     | Piston               | 1    |         |
| 4        | 13111-FYBF1-000 | 13111-FYBF-000 | □□□    | Piston Pin           | 1    |         |
| 5        | 13112-FYBF1-000 | 13112-FYBF-000 | □□□□□  | Snap Ring,Piston Pin | 2    |         |
| 6        | 13206-FYBF1-000 | 13206-FYBF-000 | □□□    | Woodruff Key         | 1    |         |

E-7 □□□□□□



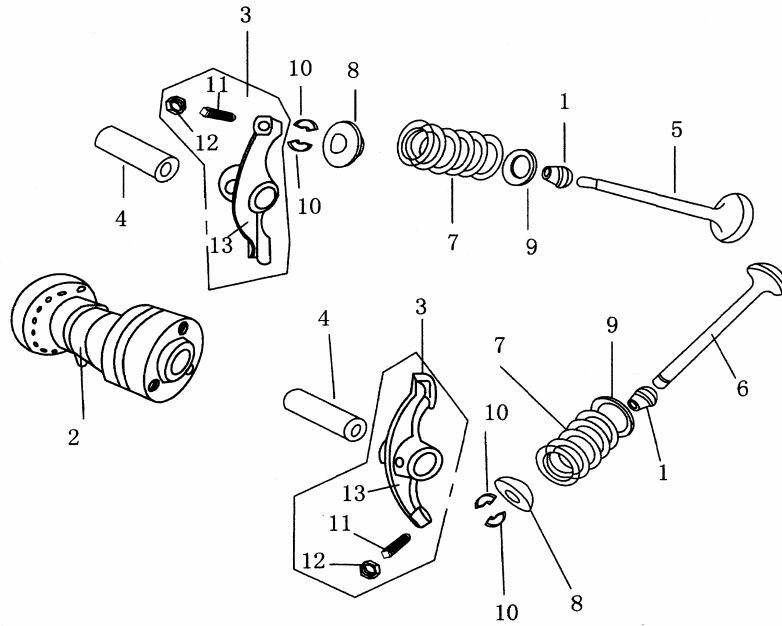
| Ref. No. | Old Part No.         | New Part No.         | □□□□            | Description                | Q'TY | REMARKS |
|----------|----------------------|----------------------|-----------------|----------------------------|------|---------|
| 1        | 11100-FYDF-10A       | 11100-FYBF4-000      | □□□□□           | Crankcase comp., R         | 1    |         |
| 2        | 11191-FYDF-000       | 11191-FYBF4-000      | □□□□□□          | Seal,Crankcase             | 1    |         |
| 3        | 11200-FYDF-00A       | 11210-FYBF4-000      | □□□□□           | Crankcase comp., L         | 1    |         |
| 4        | 11211-FYGF-000       | 11211-FYBF4-000      | □□□□□□          | Vent Pipe,Crankcase        | 1    |         |
| 5        |                      | 11212-FYBF4-000      | □□□□□           | Spring Clip                | 1    |         |
| 6        | 11421-FYGF-000       | 11421-FYBF4-000      | □□□□□           | Pipe Clip                  | 1    |         |
| 7        | GB899-88-06188-K     | GB899-88-06188-K     | □□□□M6*188      | Stud Bolt M6*188           | 2    |         |
| 8        | GB899-88-06196-K     | GB899-88-06196-K     | □□□□M6*196      | Stud Bolt M6*196           | 2    |         |
| 9        | 90301-12020-15AL0    | 90301-12020-15AL0    | □□□12*20*1.5    | Plat Washer 12*20*.1.5     | 1    |         |
| 10       | 90411-10014-000      | 90411-10014-000      | □□□10*14        | Dowel Pin 10*14            | 2    |         |
| 11       | GB/T5789-86-12016X-C | GB/T5789-86-12016X-C | □□□□□M12*1.5*16 | Hex Flange Bolt M12*1.5*16 | 1    |         |
| 12       | 15160-FYGF-000       | 15160-FYBF-000       | □□□□□□          | Fuel Filter Screen         | 1    |         |
| 13       | GB/T16674-96-06060-L | GB/T16674-96-06060-L | □□□□□□M6*60     | Bolt M6*60                 | 2    |         |
| 14       | GB/T16674-96-06050-L | GB/T16674-96-06050-L | □□□□□□M6*50     | Bolt M6*50                 | 1    |         |
| 15       | GB/T16674-96-06065-L | GB/T16674-96-06065-L | □□□□□□M6*65     | Bolt M6*65                 | 4    |         |
| 16       | 15000-FYGF-000       | 15000-FYBF4-000      | □□□□□           | Oil Pump Assy              | 1    |         |

E-7 □□□□□□



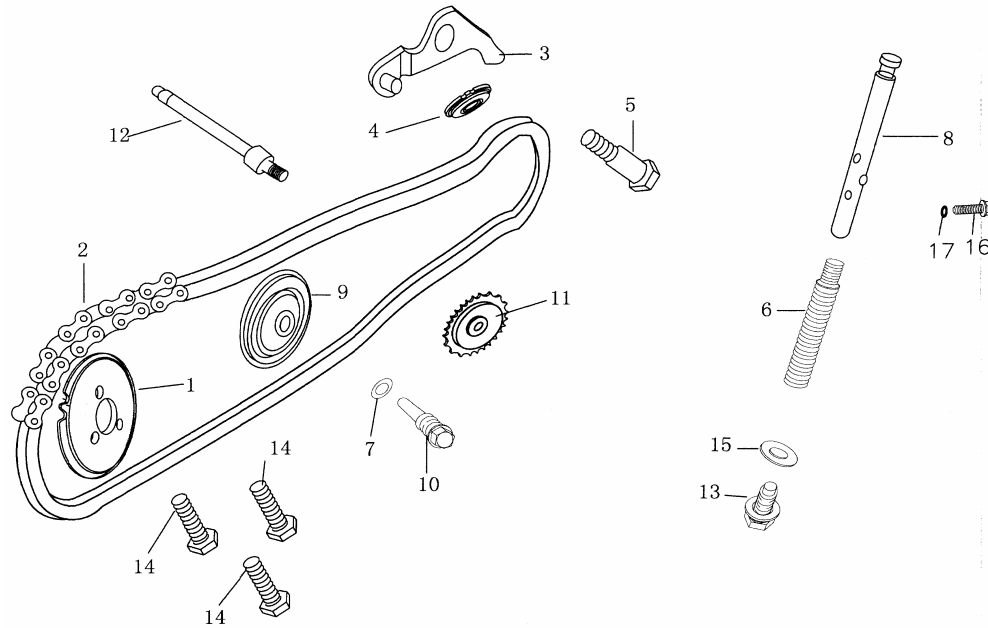
| Ref. No. | Old Part No.       | New Part No.       | □□□□        | Description        | Q'TY | REMARKS |
|----------|--------------------|--------------------|-------------|--------------------|------|---------|
| 17       | 15116-FYGF-000     | 15115-FYBF4-000    | □□□□□□      | Seal,Oil Pump      | 1    |         |
| 18       | GB/T823-88-06016-B | GB/T823-88-06016-B | □□□□□□M6*16 | Screw M6*16        | 2    |         |
| 19       | GB/T823-88-06022-B | GB/T823-88-06022-B | □□□□□□M6*22 | Screw M6*22        | 1    |         |
| 20       | 15112-FYGF-000     | 15111-FYBF4-000    | □□□□□□      | Bush.Sprocket      | 1    |         |
| 21       | 11422-FYGF-000     | 11422-FYBF4-000    | □□□□        | Overflow Clip Pipe | 1    |         |

E-8 □□□□



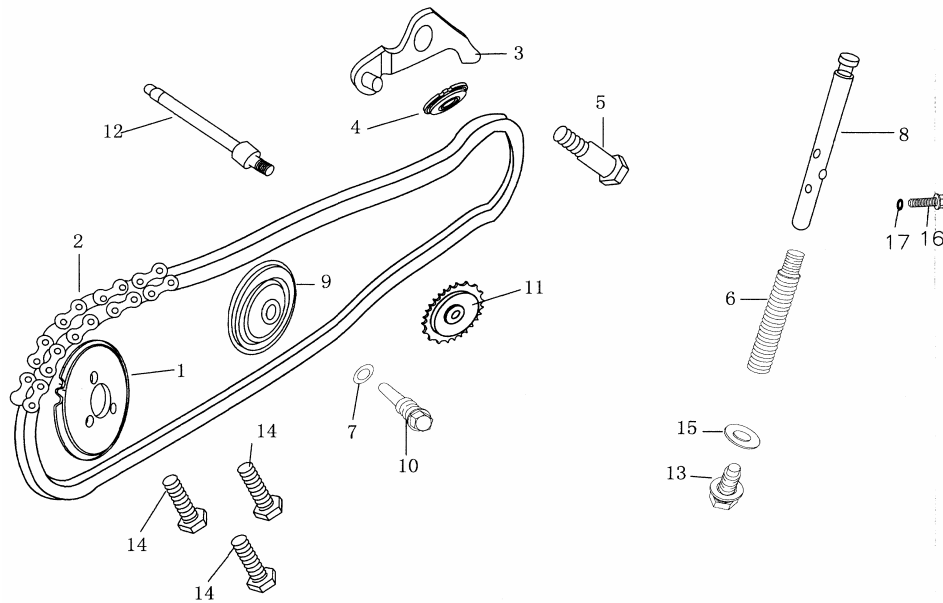
| Ref. No. | Old Part No.      | New Part No.      | □□□□              | Description                  | Q'TY | REMARKS |
|----------|-------------------|-------------------|-------------------|------------------------------|------|---------|
| 1        | 14790-FYDF-000    | 14790-FYBF-000    | □□□□□             | Valve Seal Comp              | 2    |         |
| 2        | 14100-FYDF-000    | 14100-FYBF-000    | □□□□□             | Camshaft Comp                | 1    |         |
| 3        | 14430-FYDF-000    | 14430-FYBF-000    | □□□□□             | Swing Arm Comp               | 2    |         |
| 4        | 14450-FYDF-000    | 14450-FYBF-000    | □□□               | Shaft, Swing Arm             | 2    |         |
| 5        | 14711-FYDF-000    | 14711-FYBF-000    | □□□               | Intake Valve                 | 1    |         |
| 6        | 14721-FYDF-000    | 14721-FYBF-000    | □□□               | Exhaust Valve                | 1    |         |
| 7        | 14751-FYDF-000    | 14751-FYBF-000    | □□□□              | Outside Spring, Valve        | 2    |         |
| 8        | 14771-FYDF-000    | 14771-FYBF-000    | □□□□□□            | Hold Plate, Valve Spring     | 2    |         |
| 9        | 28103-17023-1000K | 28103-17023-1000K | □□□□□□(□□17*23*1) | Spring Washer, Outside Valve | 2    |         |
| 10       | 14781-FYDF-000    | 14781-FYBF-000    | □□□□              | Valve cotter                 | 4    |         |
| 11       | 14436-FYDF-000    | 14436-FYBF-000    | □□□□□□            | screw, adjusting, valve      | 2    |         |
| 12       | 14437-FYDF-000    | 14437-FYBF-000    | □□□□□□□□          | nut, tappet adjusting, valve | 2    |         |
| 13       | 14434-FYDF-000    | 14430-FYBF-000    | □□                | Rocker Arm                   | 2    |         |

E-9 □□□□□□□□



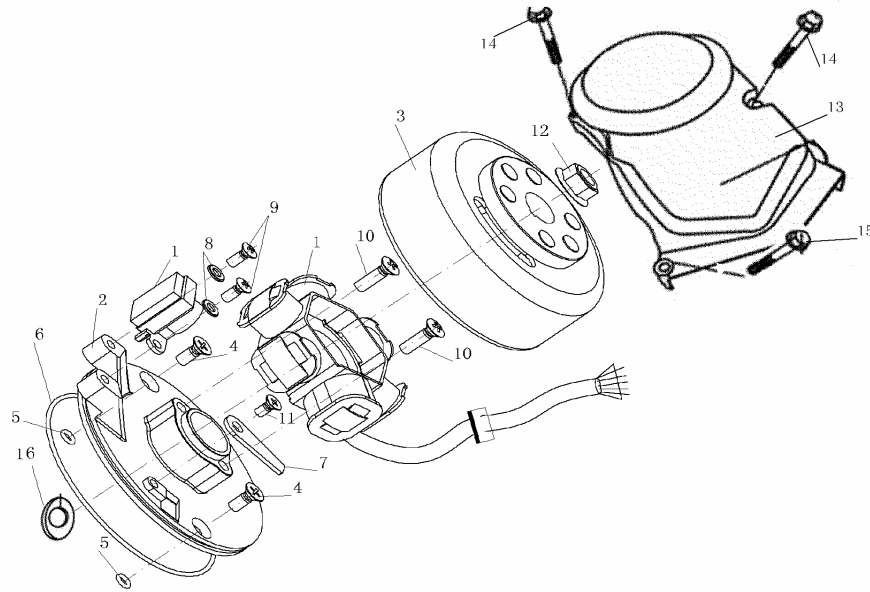
| Ref. No. | Old Part No.          | New Part No.          | □□□□         | Description                            | Q'TY | REMARKS |
|----------|-----------------------|-----------------------|--------------|--|------|---------|
| 1        | 14109-FYDF-000        | 14109-FYBF-000        | □□□□□□       | Timing Driven Sprocket Wheel           | 1    |         |
| 2        | 14440-FYDF-000        | 14440-FYBF-000        | □□□□         | Timing Chain                           | 1    |         |
| 3        | 14530-FYGF-000        | 14530-FYBF-000        | □□□□□□□□     | Chain Tension Arm Comp                 | 1    |         |
| 4        | 14541-FYGF-000        | 14541-FYBF-000        | □□□□□□□□     | Chain Tension Trolley                  | 1    |         |
| 5        | 14542-FYGF-000        | 14542-FYBF-000        | □□□□□□□□     | Mandrel, Chain Tension Arm             | 1    |         |
| 6        | 14543-FYGF-000        | 14543-FYBF-000        | □□□□□□□□     | Spring, Chain Tension Bar              | 1    |         |
| 7        | 90301-08015-15AL0     | 90301-08015-15AL0     | □□□8*15*1.5  | Aluminum Washer φ8*15*1.5              | 1    |         |
| 8        | 14510-FYGF-000        | 14510-FYBF-000        | □□□□□□□□     | Chain Tension Bar Comp                 | 1    |         |
| 9        | 14560-FYGF-000        | 14560-FYBF-000        | □□□□□□□□     | Guide Trolley, Sprocket Wheel          | 1    |         |
| 10       | 14561-FYGF-000        | 14561-FYBF-000        | □□□□□□□(□□□□ | Bolt Shaft, Guide Trolley(chromeplate) | 1    |         |
| 11       | 15133-FYGF-000        | 15133-FYBF-000        | □□□□□□□□     | Drive Sprocket Wheel, Oil Pump         | 1    |         |
| 12       | 15114-FYGF-000        | 15109-FYGF-000        | □□□□□□       | Sprocket Shaft, Oil Pump               | 1    |         |
| 13       | 14562-14012-000B      | 14562-14012-000B      | □□□□□M14*12  | Tension Bolt Shaft M14*12              | 1    |         |
| 14       | GB/T5783-2000-05012-B | GB/T5783-2000-05012-B | □□□□M5*12    | Hex Bolt M5*12                         | 3    |         |
| 15       | 90301-14020-15AL0     | 90301-14020-15AL0     | □□□14*20*1.5 | Aluminum Washer φ14*20*1.5             | 1    |         |
| 16       | GB/T16674-96-06018-L  | GB/T16674-96-06018-L  | □□□□□M6*18   | Hex Bolt M6*18                         | 1    |         |

E-9 □□□□□□□□



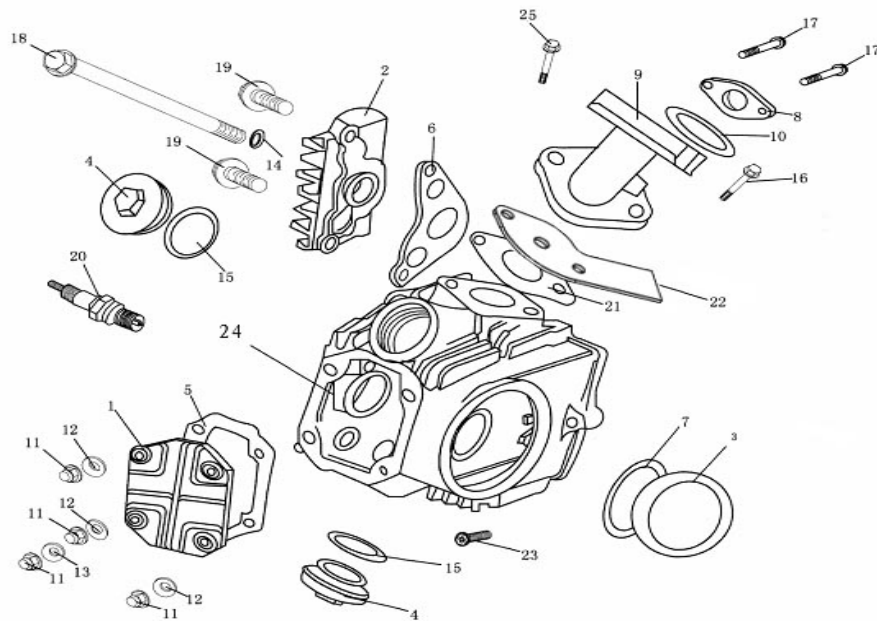
| Ref. No. | Old Part No.      | New Part No.      | □□□□     | Description         | Q'TY | REMARKS |
|----------|-------------------|-------------------|----------|---------------------|------|---------|
| 17       | 90301-06012-10AL0 | 90301-06012-10AL0 | □□6*12*1 | Flat Washer φ6*12*1 | 1    |         |

E-10 □□□□□□



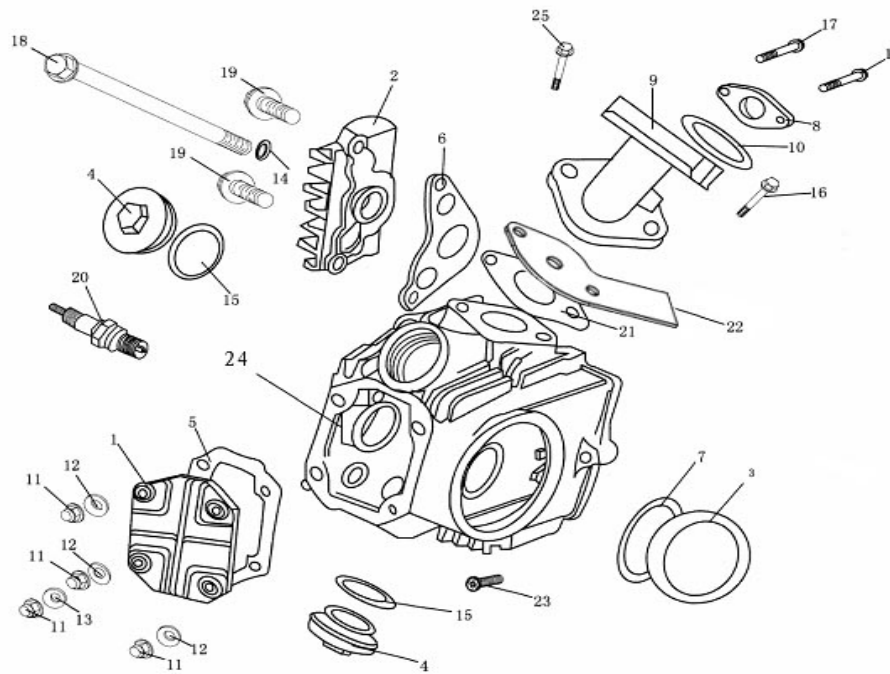
| Ref. No. | Old Part No.          | New Part No.          | □□□□           | Description                | QTY | REMARKS |
|----------|-----------------------|-----------------------|----------------|----------------------------|-----|---------|
| 1        | 31120-FYDF-000        | 31120-FYBF4-000       | □□□□□□         | Stator Comp                | 1   |         |
| 2        |                       | 31123-FYBF4-000       | □□□□           | Bracket.Coil               | 1   |         |
| 3        | 31110-FYDF-000        | 31110-FYBF4-000       | □□□□           | Rotor Comp                 | 1   |         |
| 4        |                       | GB/T819.2-97-06014-B  | □□□□□□6*14     | Cross Head Screw 6*14      | 2   |         |
| 5        | 90701-06001-009       | 90701-06001-009       | O□□□□6.8*1.9   | O-Gasket 6.8*1.9           | 2   |         |
| 6        | 90701-02107-000       | 90701-02107-000       | O□□□□107*2     | O-Gasket 107*2             | 1   |         |
| 7        |                       | 31126-FYBF4-000       | □□□            | Pressure Plate             | 1   |         |
| 8        |                       | 31122-FYBF4-001       | □□□□           | Spring Washer              | 2   |         |
| 9        |                       | GB/T823-88-05012-B    | □□□□□□M5*12    | cross Pad Screw M5*12      | 2   |         |
| 10       | GB/T819.2-97-06014-B  | GB/T823-88-06020-B    | □□□□□□M6*20    | cross Pad Screw M6*20      | 2   |         |
| 11       |                       | GB/T819.2-97-05010-B  | □□□□□□5*10     | cross Pad Screw M5*10      | 1   |         |
| 12       | GB/T6177.2-2000-1000X | GB/T6177.2-2000-1000X | □□□□□□M10*1.25 | Hex Flange Nut M10*1.25    | 1   |         |
| 13       | 11400-FYDF-02A        | 11400-FYBF4-000       | □□□□□(□masai)  | Left Crankcas Cover(masai) | 1   |         |
| 14       | GB/T16674-96-06035-L  | GB/T16674-96-06035-L  | □□□□□□M6*35    | Hex Flange Bolt M6*35      | 2   |         |
| 15       | GB/T16674-96-06025-L  | GB/T16674-96-06025-L  | □□□□□□M6*25    | Hex Flange Bolt M6*25      | 1   |         |
| 16       | 90801-18030-005       | 90801-18030-005       | □□18.9*30*5    | Oil Seal 18.9*30*5         |     |         |

E-11 □□□



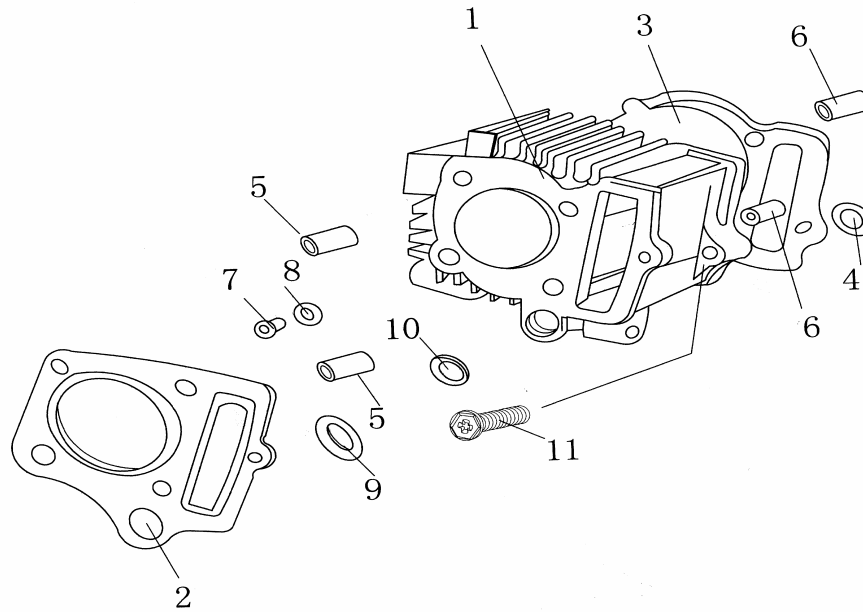
| Ref. No. | Old Part No.         | New Part No.         | □□□□          | Description                              | Q'TY | REMARKS |
|----------|----------------------|----------------------|---------------|--|------|---------|
| 1        | 12310-FYDF-000       | 12310-FYBF-000       | □□□□          | Cylinder Head                            | 1    |         |
| 2        | 12332-FYDF-000       | 12332-FYBF-000       | □□□□□         | Right Cover,Cylinder                     | 1    |         |
| 3        | 12331-FYDF-000       | 12331-FYBF-000       | □□□□□         | Left Cover,Cylinder                      | 1    |         |
| 4        | 12335-FYDF-000       | 12335-FYBF-000       | □□□           | Valve Cover                              | 2    |         |
| 5        | 12392-FYDF-000       | 12392-FYBF-000       | □□□□□□□       | Seal Washer,Cylinder Head                | 1    |         |
| 6        | 12334-FYDF-000       | 12334-FYBF-000       | □□□□□□□□      | Seal Washer,Right Cover of Cylinder Heac | 1    |         |
| 7        | 12333-FYDF-000       | 12333-FYBF-000       | □□□□□□□□      | Seal Washer,Left Cover of Cylinder Head  | 1    |         |
| 8        | 16107-FYDF-000       | 16107-FYBF-000       | □□□           | Heat Insulation Gasket,Carburetor Socket | 1    |         |
| 9        | 16103-FYDF-000       | 16103-FYBF4-000      | □□□           | Intake Pipe                              | 1    |         |
| 10       | 90701-25002-004      | 90701-25002-004      | O□□□□25*2.4   | O-Ring 25*2.4                            | 1    |         |
| 11       | GB923-88-60000       | GB923-88-60000       | □□□□M6        | Cap Nut M6                               | 4    |         |
| 12       | 90301-06014-2500B    | 90301-06014-2500B    | □□□6*14*2.5   | Flat Washer 6*14*2.5                     | 3    |         |
| 13       | 90301-06014-25CU0    | 90301-06014-25CU0    | □□□6*14*2.5   | Flat Washer 6*14*2.5                     | 1    |         |
| 14       | 90301-06013-01AL0    | 90301-06013-01AL0    | □□□6*13*1     | Flat Washer 6*13*1                       | 1    |         |
| 15       | 90701-30003-002      | 90701-30003-002      | O□□□□30.8*3.2 | O-Ring 30.8*3.2                          | 2    |         |
| 16       | GB/T16674-96-06025-L | GB/T16674-96-06025-L | □□□□□M6*25    | Hex Bolt M6*25                           | 2    |         |

E-11 □□□



| Ref. No. | Old Part No.         | New Part No.         | □□□□         | Description             | Q'TY | REMARKS |
|----------|----------------------|----------------------|--------------|-------------------------|------|---------|
| 17       | GB/T16674-96-06032-L | GB/T16674-96-06032-L | □□□□□□M6*32  | Hex Bolt M6*32          | 2    |         |
| 18       | GB/T16674-96-06110-L | GB/T16674-96-06110-L | □□□□□□M6*110 | Hex Bolt M6*110         | 1    |         |
| 19       | GB/T16674-96-06020-L | GB/T16674-96-06020-L | □□□□□□M6*20  | Hex Bolt M6*20          | 2    |         |
| 20       | 30700-FYBF1-000      | 30700-FYBF4-000      | □□□          | Spark Plug              | 1    |         |
| 21       | 16105-FYDF-000       | 16105-FYBF-000       | □□□□□□       | Seal Gasket, Inlet Pipe | 1    |         |
| 22       |                      | 16106-FYBF4-000      | □□□          | Limited Pad             | 1    |         |
| 23       | GB29.2-88-06020-L    | GB29.2-88-06020-L    | □□□□□□M6*20  | Hex Cross Bolt M6*20    | 1    |         |
| 24       | 12200-FYBF1-000      | 12200-FYBF-000       | □□□□□        | Cylinder head Comp      | 1    |         |
| 25       |                      | 16107-FYBF4-000      | □□□□         | Bolt                    | 1    |         |

E-12 □□□



| Ref. No. | Old Part No.      | New Part No.      | □□□□               | Description                    | Q'TY | REMARKS |
|----------|-------------------|-------------------|--------------------|--------------------------------|------|---------|
| 1        | 12000-FYBF1-000   | 12000-FYBF-000    | □□□                | Cylinder Body                  | 1    |         |
| 2        | 12391-FYBF1-000   | 12391-FYBF-000    | □□□□□□□□           | Seal Gasket,Cylinder Head      | 1    |         |
| 3        | 12191-FYBF1-000   | 12191-FYBF-000    | □□□□□□             | Seal Gasket,Cylinder Body      | 1    |         |
| 4        | 90715-11015-002   | 90715-11015-002   | □□□□□11.5*15.7*2.4 | Rectangle Washer 11.5*15.7*2.4 | 1    |         |
| 5        | 90411-08014-000   | 90411-08014-000   | □□□8*14            | Dowel Pin 8*14                 | 2    |         |
| 6        | 90411-08012-000   | 90411-08012-000   | □□□8*12            | Dowel Pin 8*12                 | 2    |         |
| 7        | 90414-08010-000   | 90414-08010-000   | T□□□8*12           | T-bush 8*12                    | 1    |         |
| 8        | 90715-11009-002   | 90715-11009-002   | □□□□□11.7*9*2.4    | Rectangle Washer 11.7*9*2.4    | 1    |         |
| 9        | 90415-14010-002   | 90415-14010-002   | □□T-bush 8*12      | Bush T-bush 8*12               | 1    |         |
| 10       | 90715-14018-002   | 90715-14018-002   | □□□□□14.5*18.5*2.4 | Rectangle Washer 14.5*18.5*2.4 | 1    |         |
| 11       | GB29.2-88-06020-L | GB29.2-88-06020-L | □□□□□M6*20         | Hex Cross Bolt M6*20           | 1    |         |